

This manual is not for sale.

It is free on the internet.

Other people scanned this material for free for the use of hobbyisys with the condition that it is not for sale.

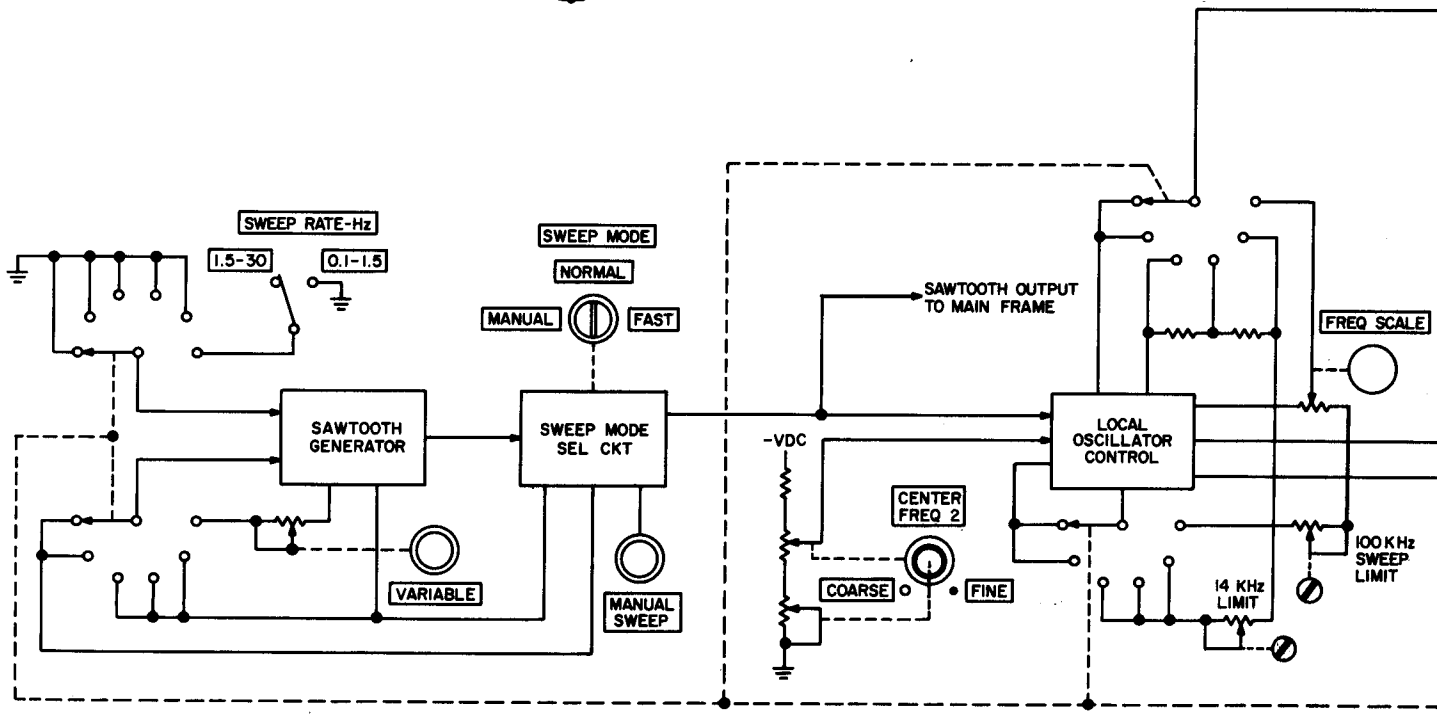
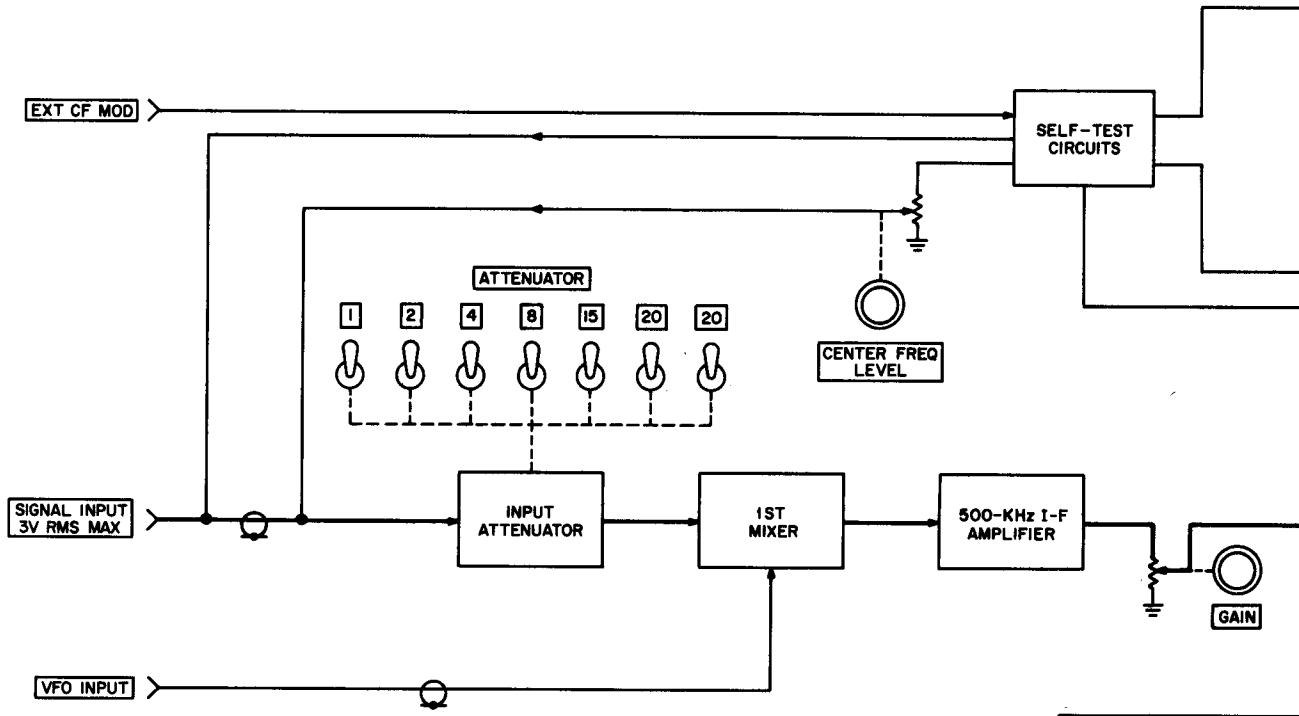
It is unethical to sell it.

It may not be sold or bundled in any way with any product or service or access right for sale or lease.

If you paid for it, take your money back.

This page intentionally left blank

**SECTION V**  
**SCHEMATIC DIAGRAMS**



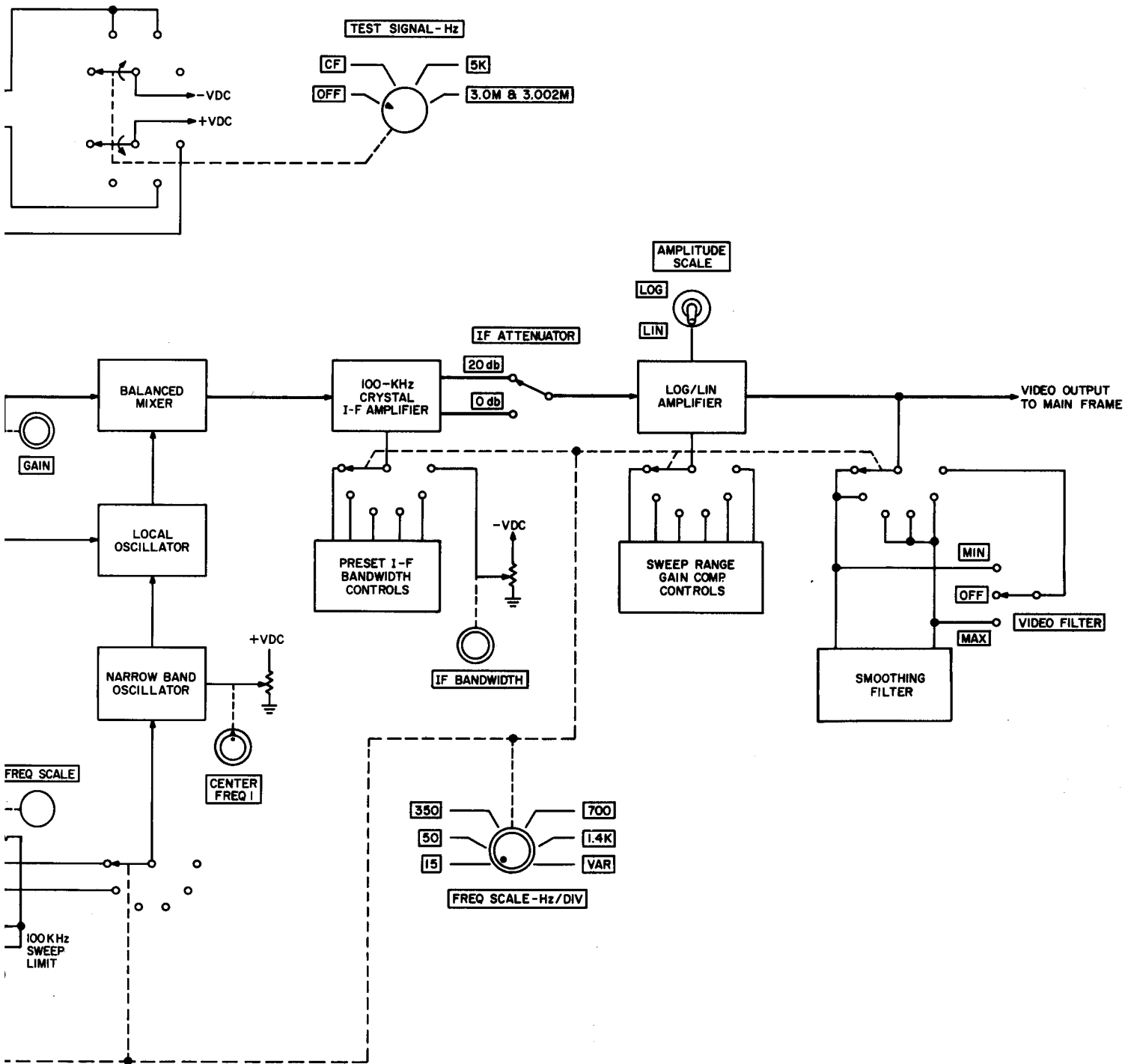
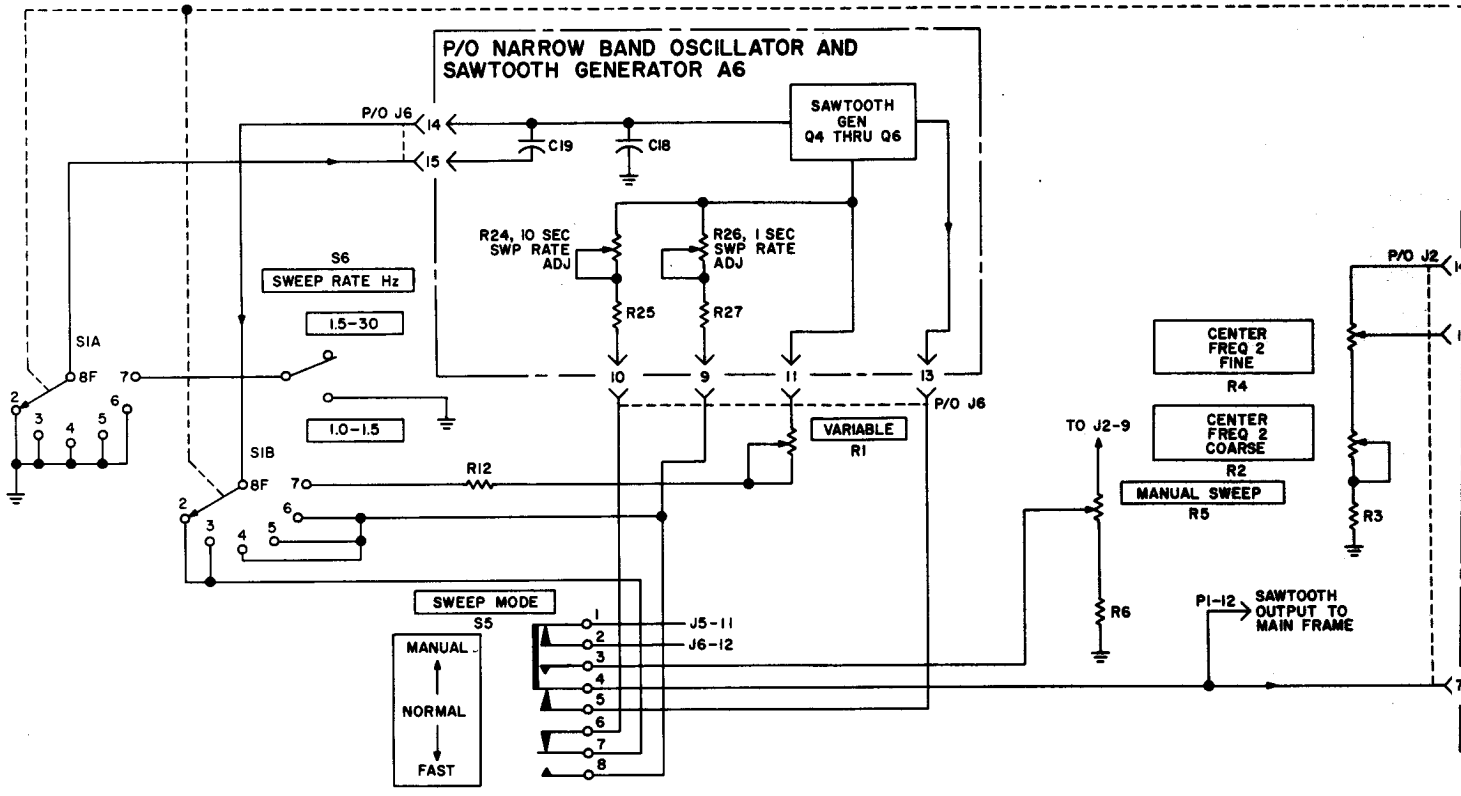
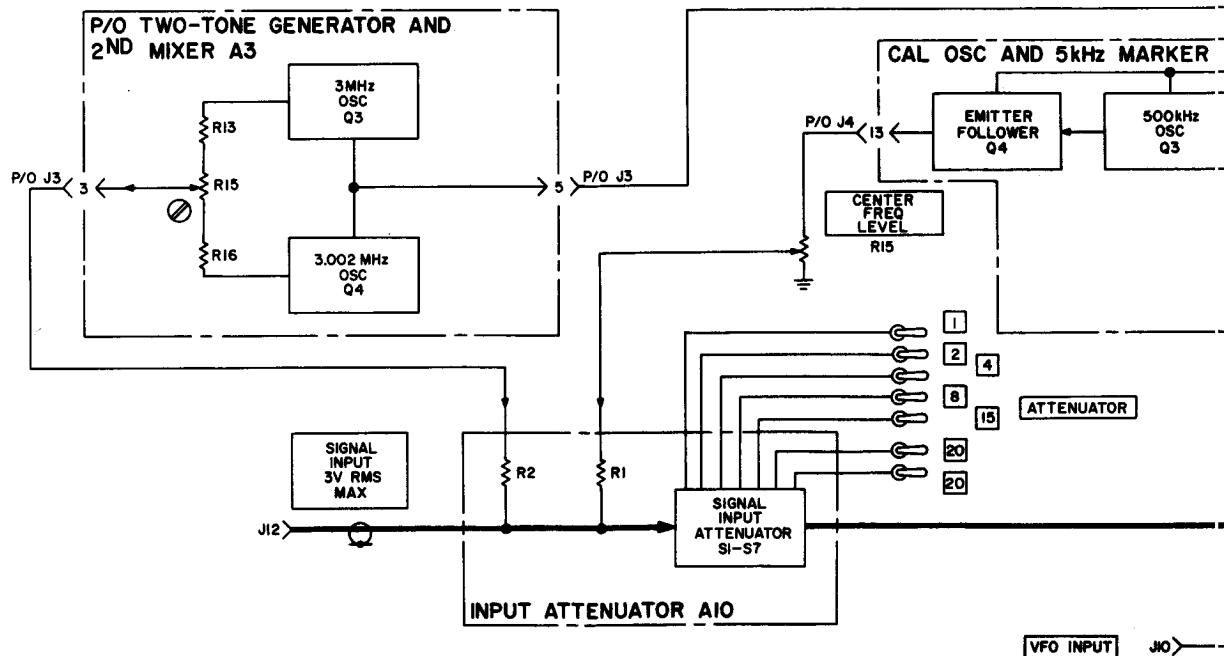
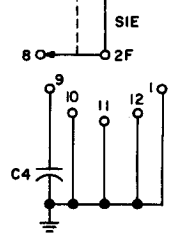
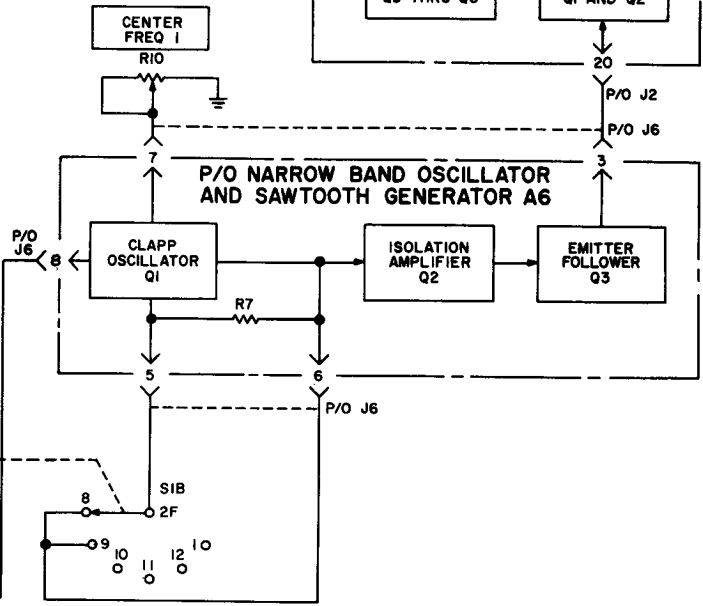
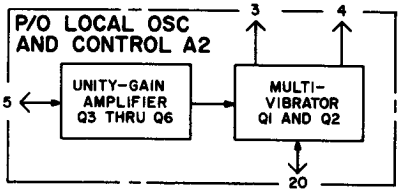
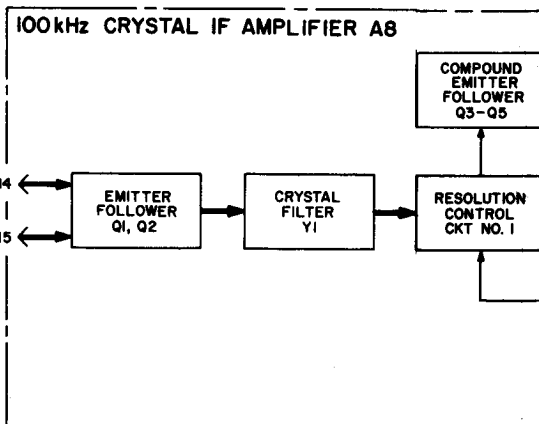
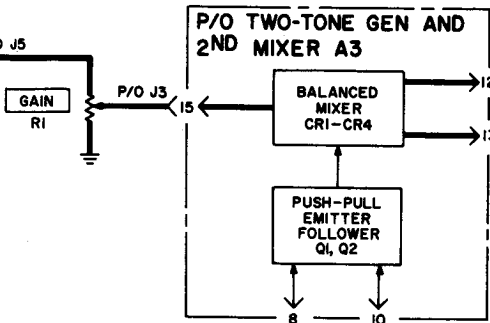
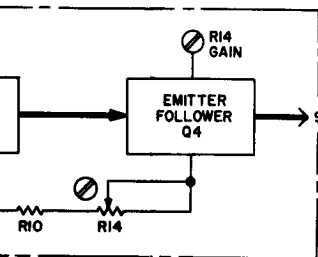
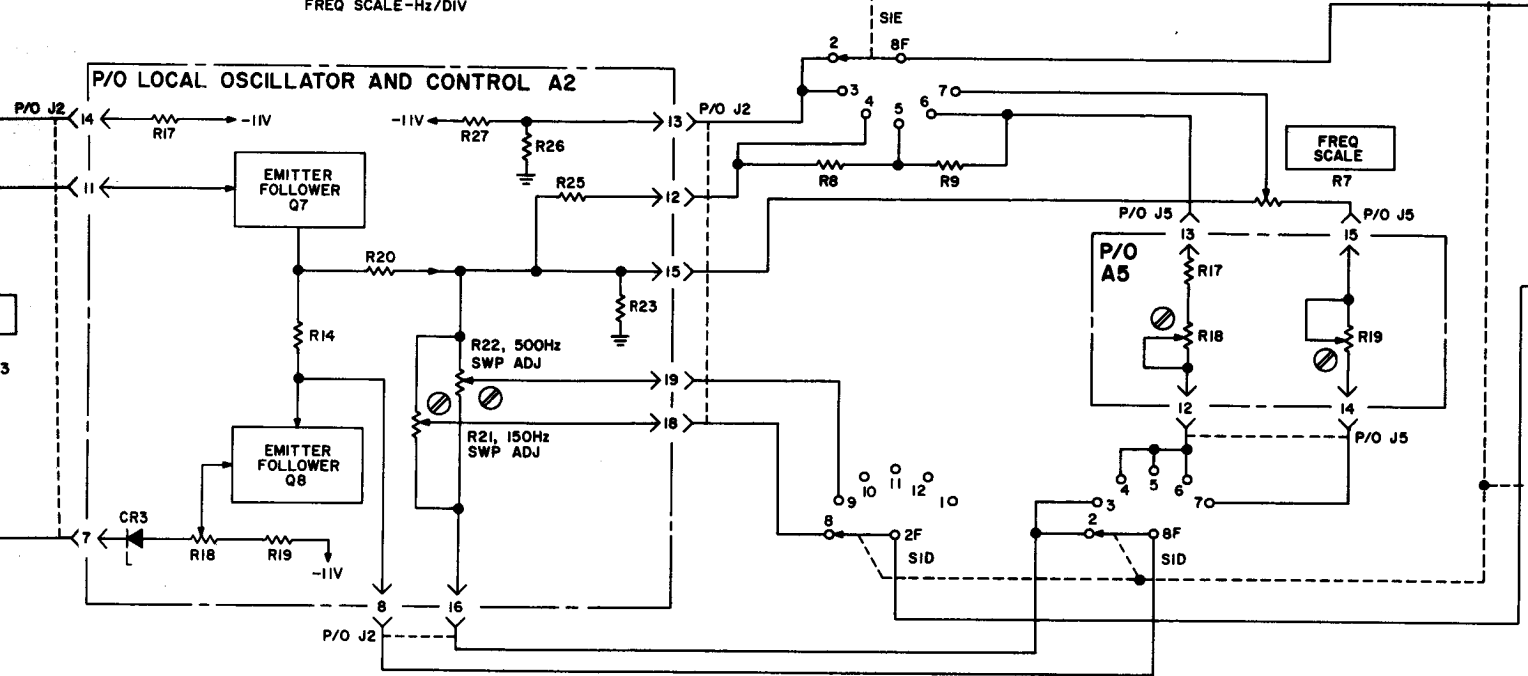
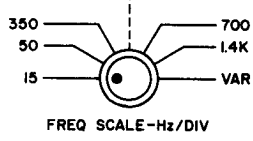
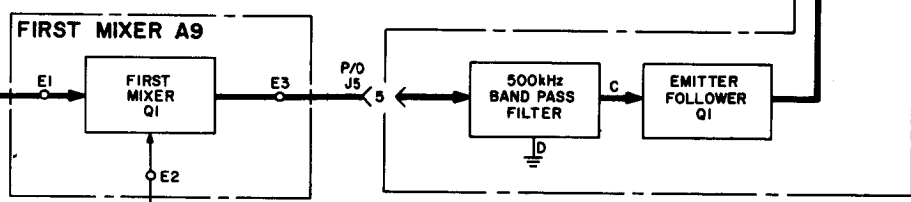
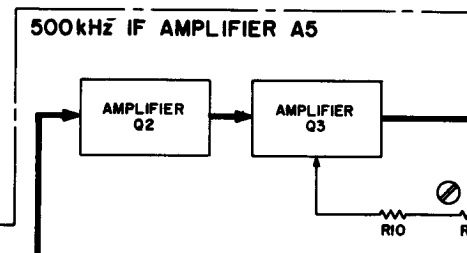
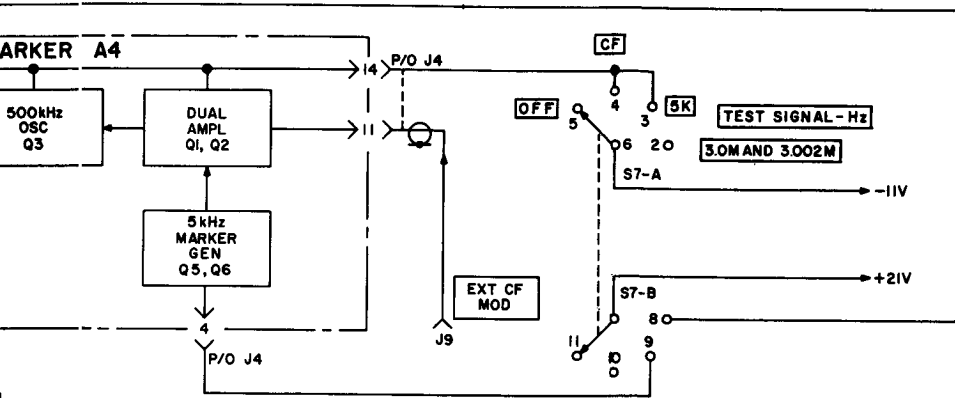


Figure 3-1. Simplified Block Diagram

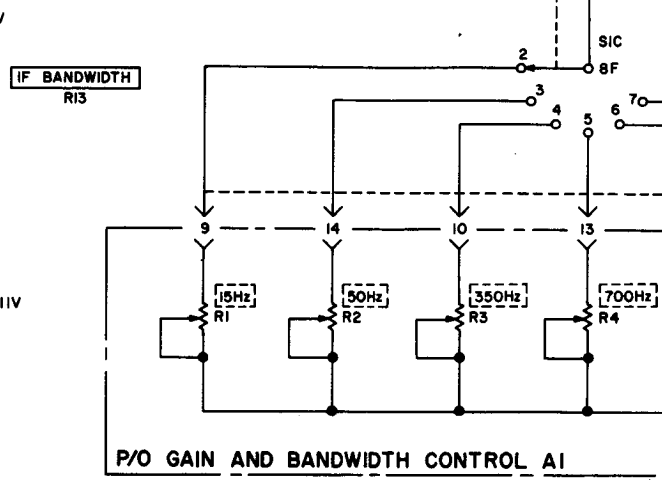
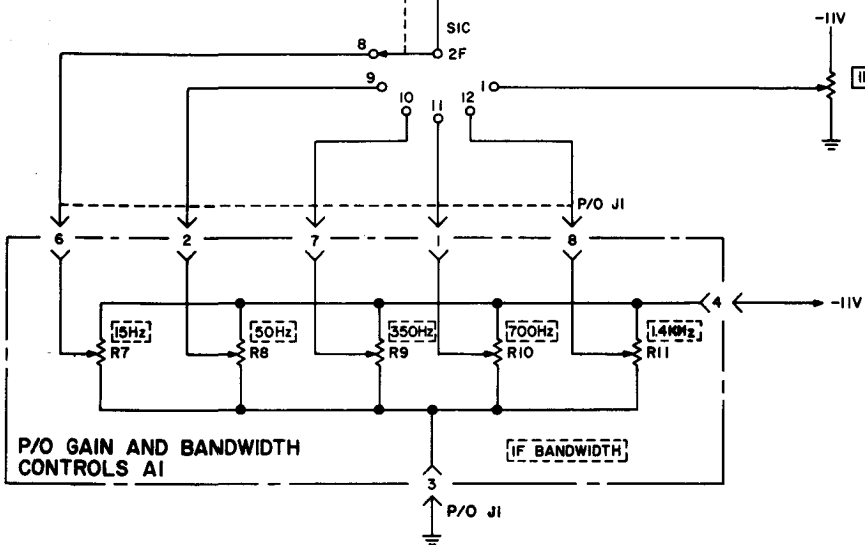
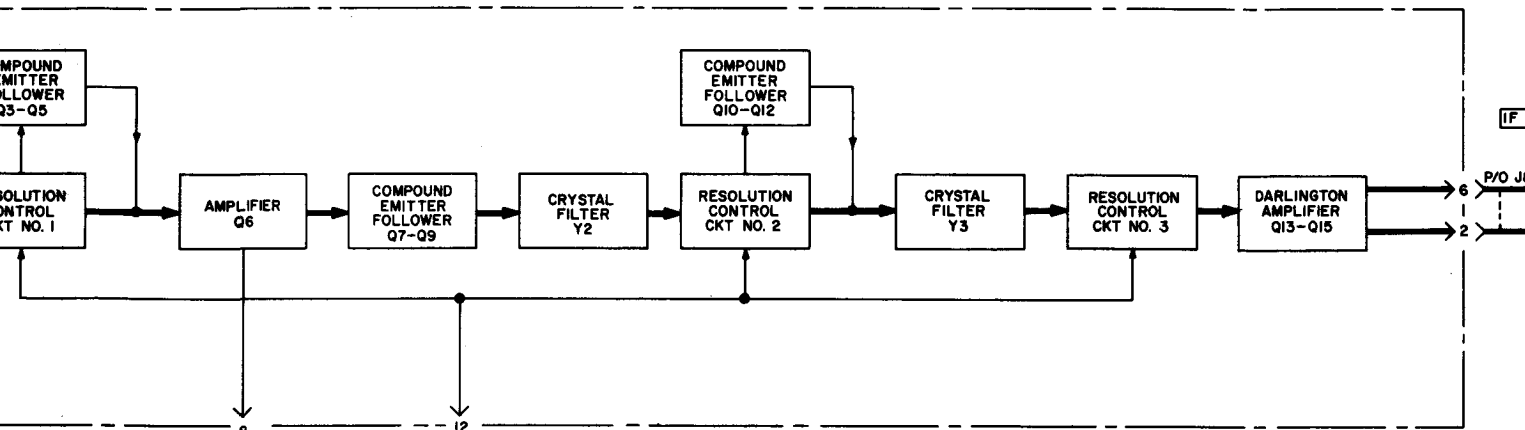


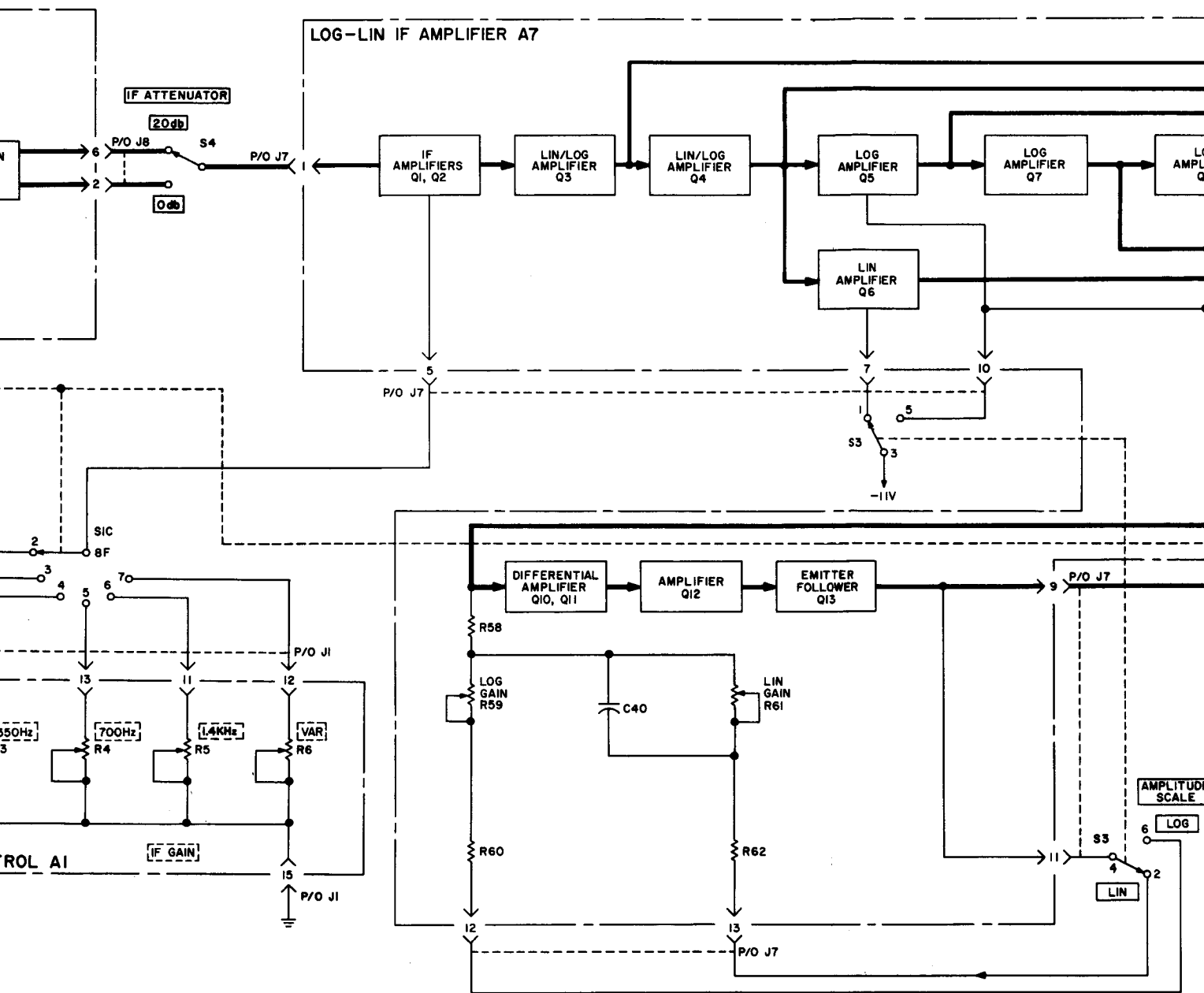


P/O CON









FIER A7

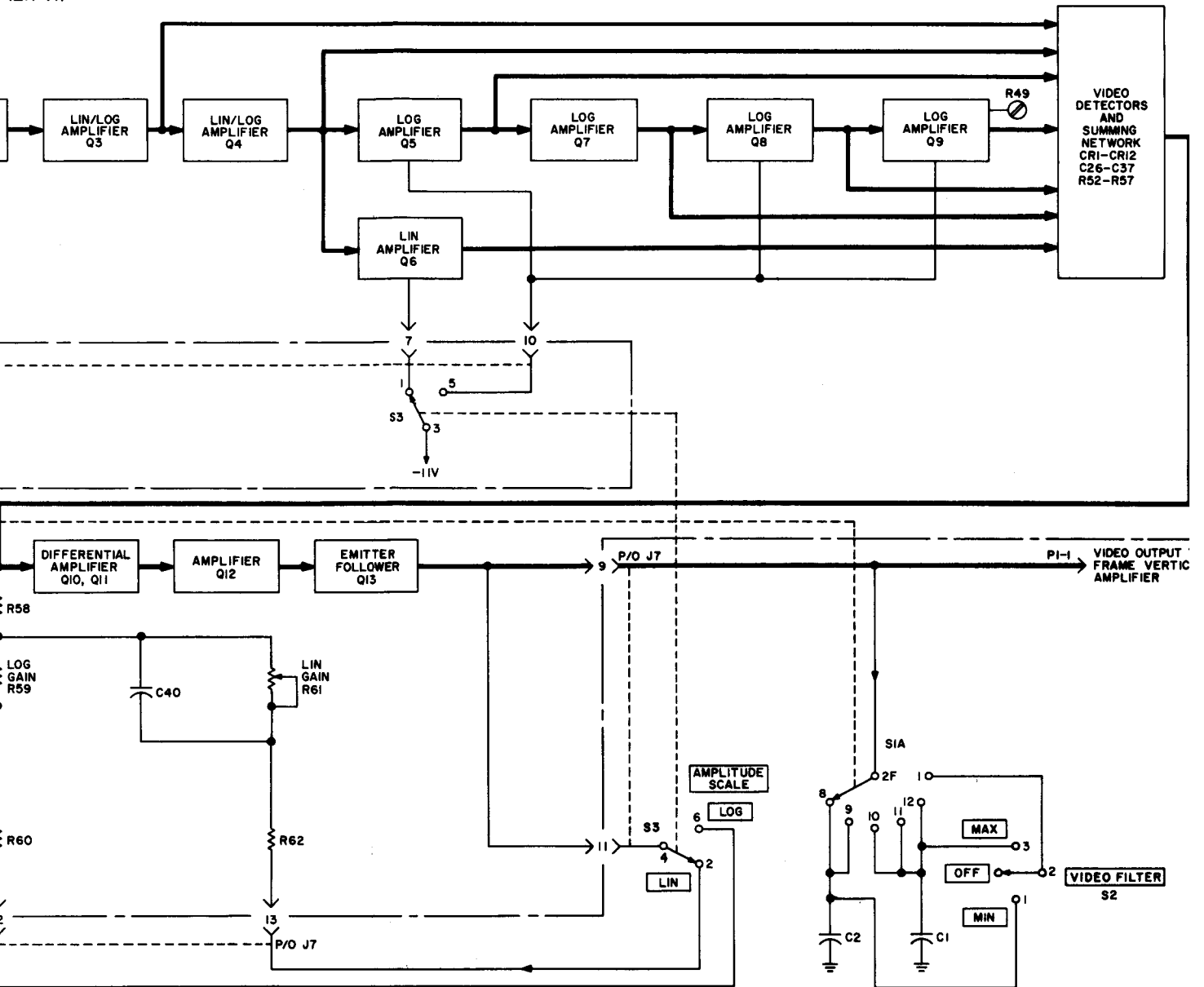
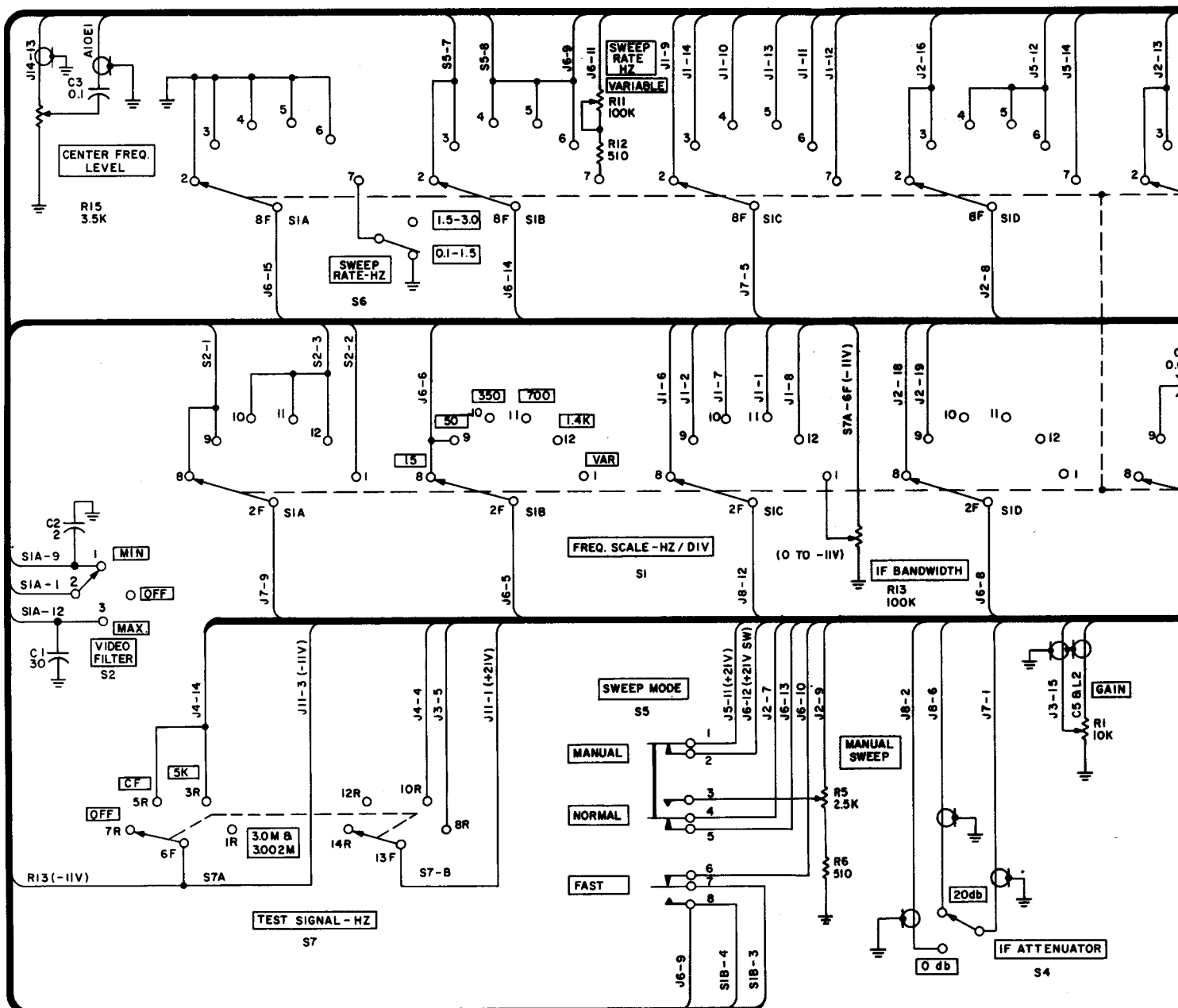
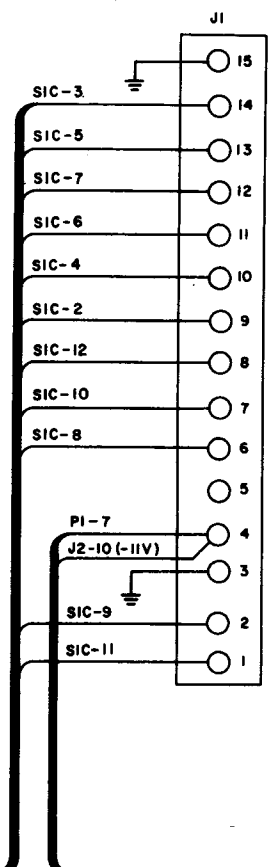
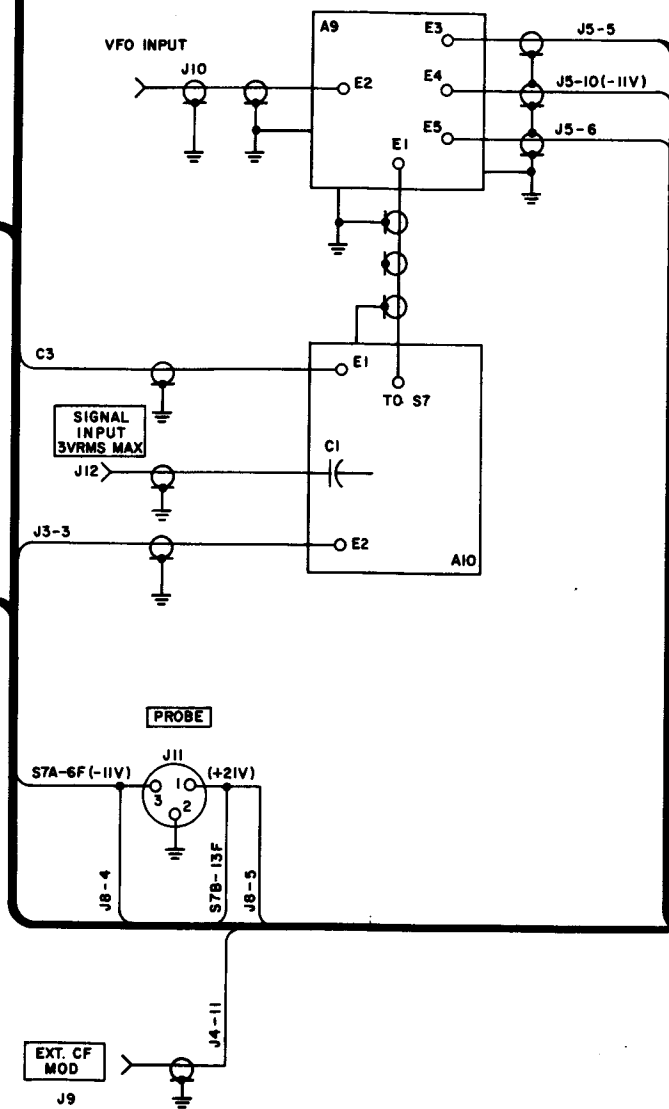
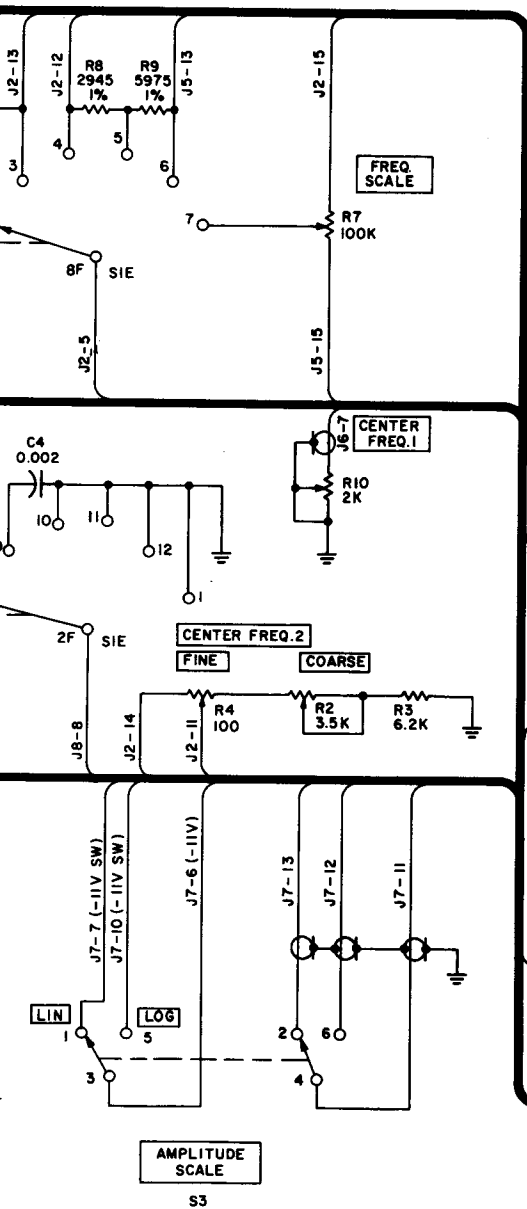


Figure 3-2. Detailed Block Diagram

106-0509 [00]





SI AS  
ROM  
OF



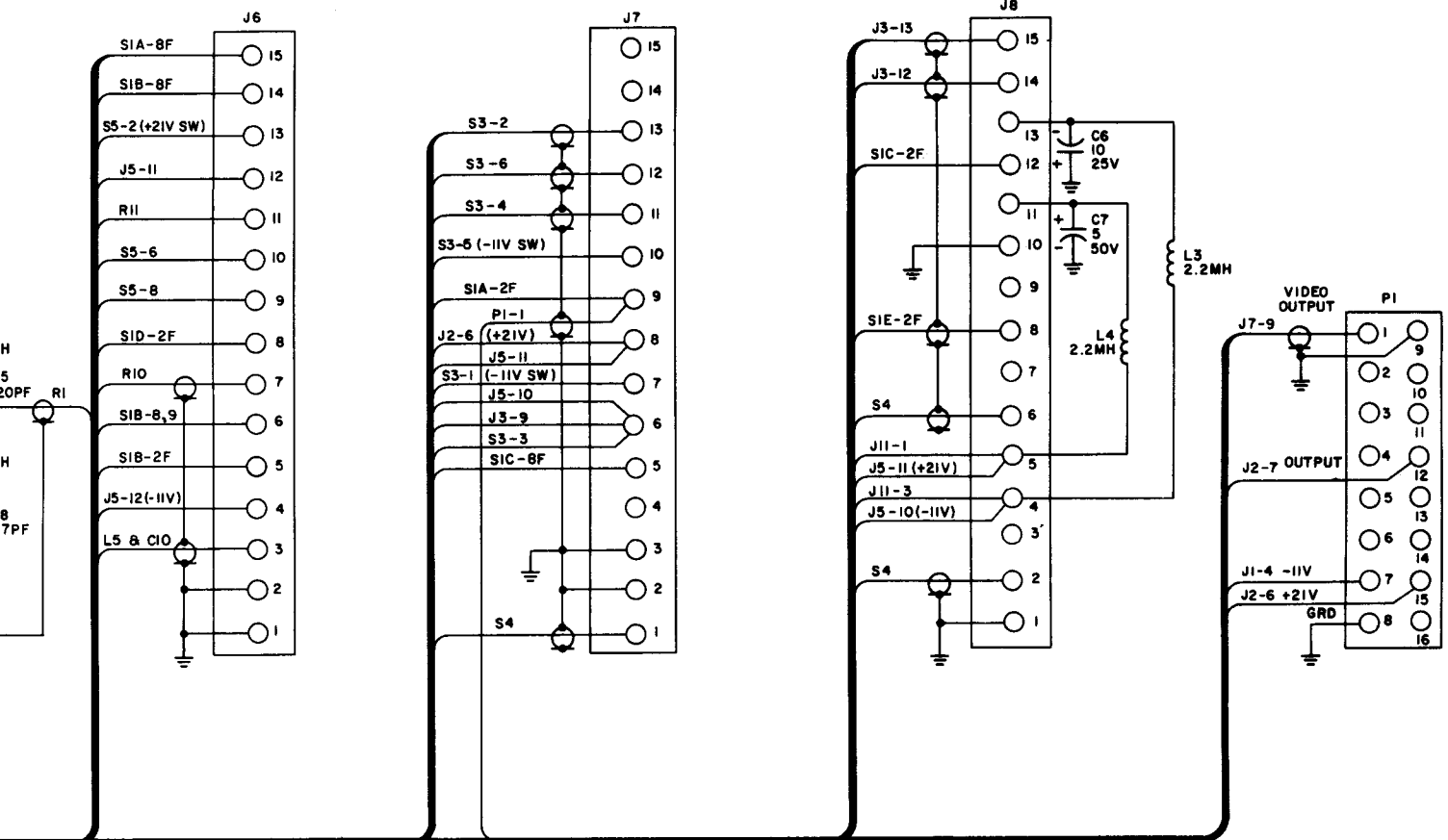
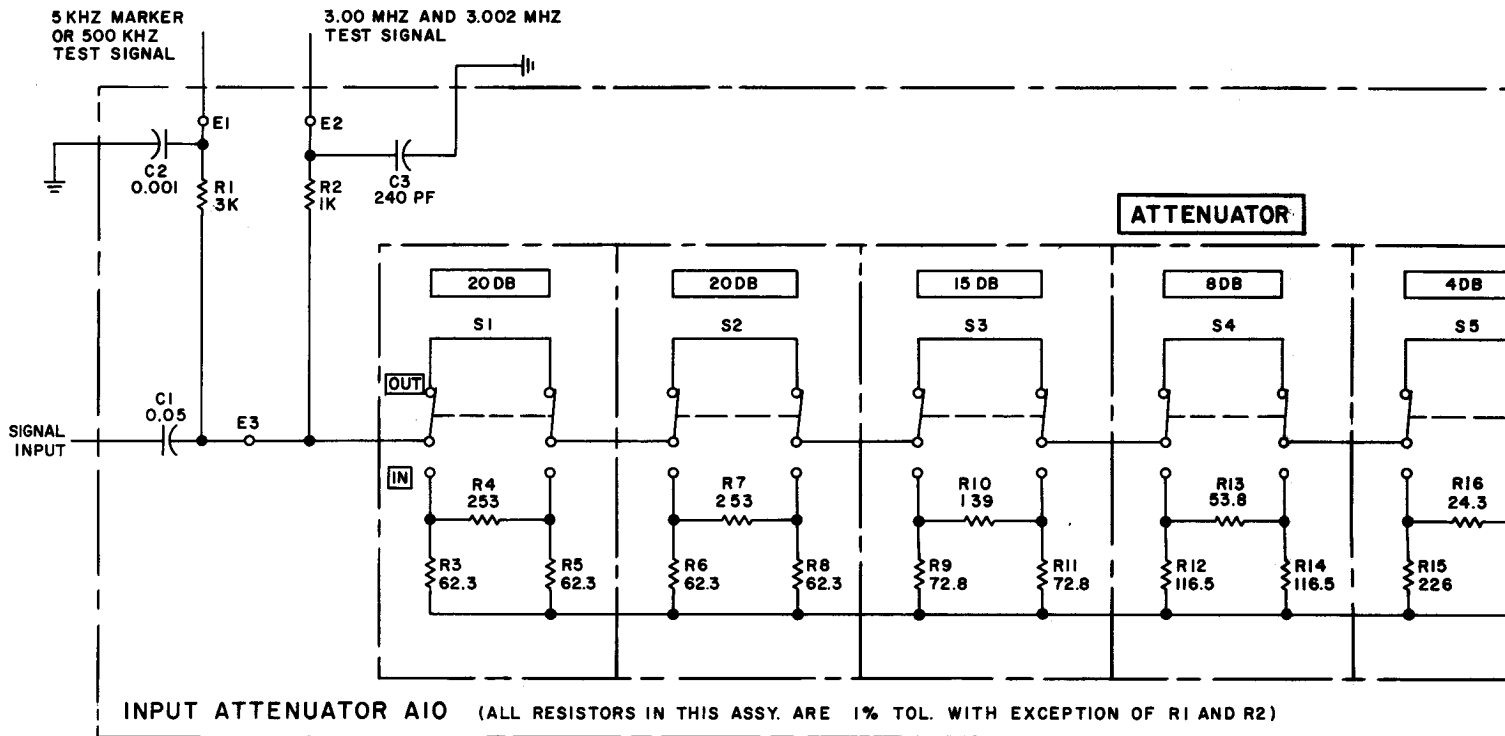


Figure 5-1. Panalyzer, Schematic of Interconnection

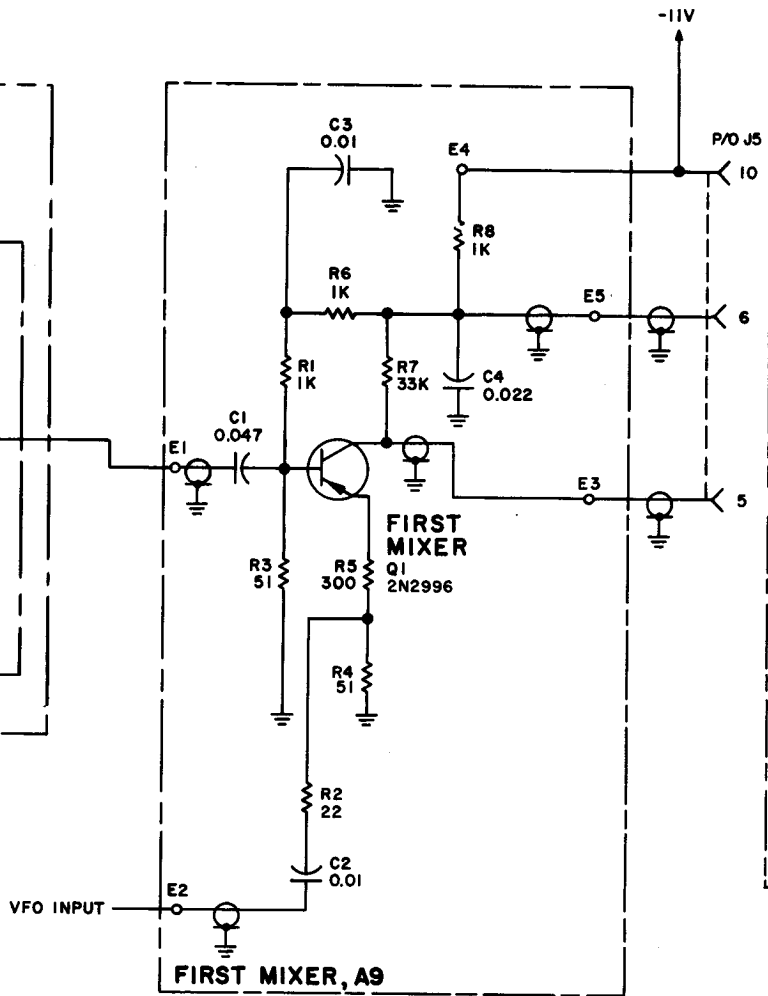
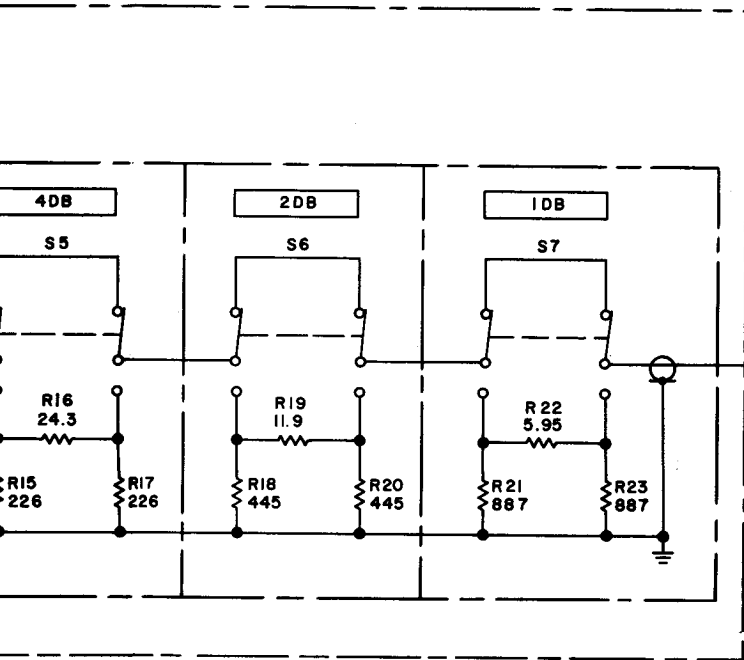


INPUT ATTENUATOR A10 (ALL RESISTORS IN THIS ASSY. ARE 1% TOL. WITH EXCEPTION OF R1 AND R2)

NOTES:

1. UNLESS OTHERWISE SPECIFIED, ALL RESISTOR VALUES ARE IN OHMS, 1/4 W ± 5%.
2. ALL CAPACITORS ARE IN MICROFARADS.
3. □ INDICATES FRONT PANEL MARKING.





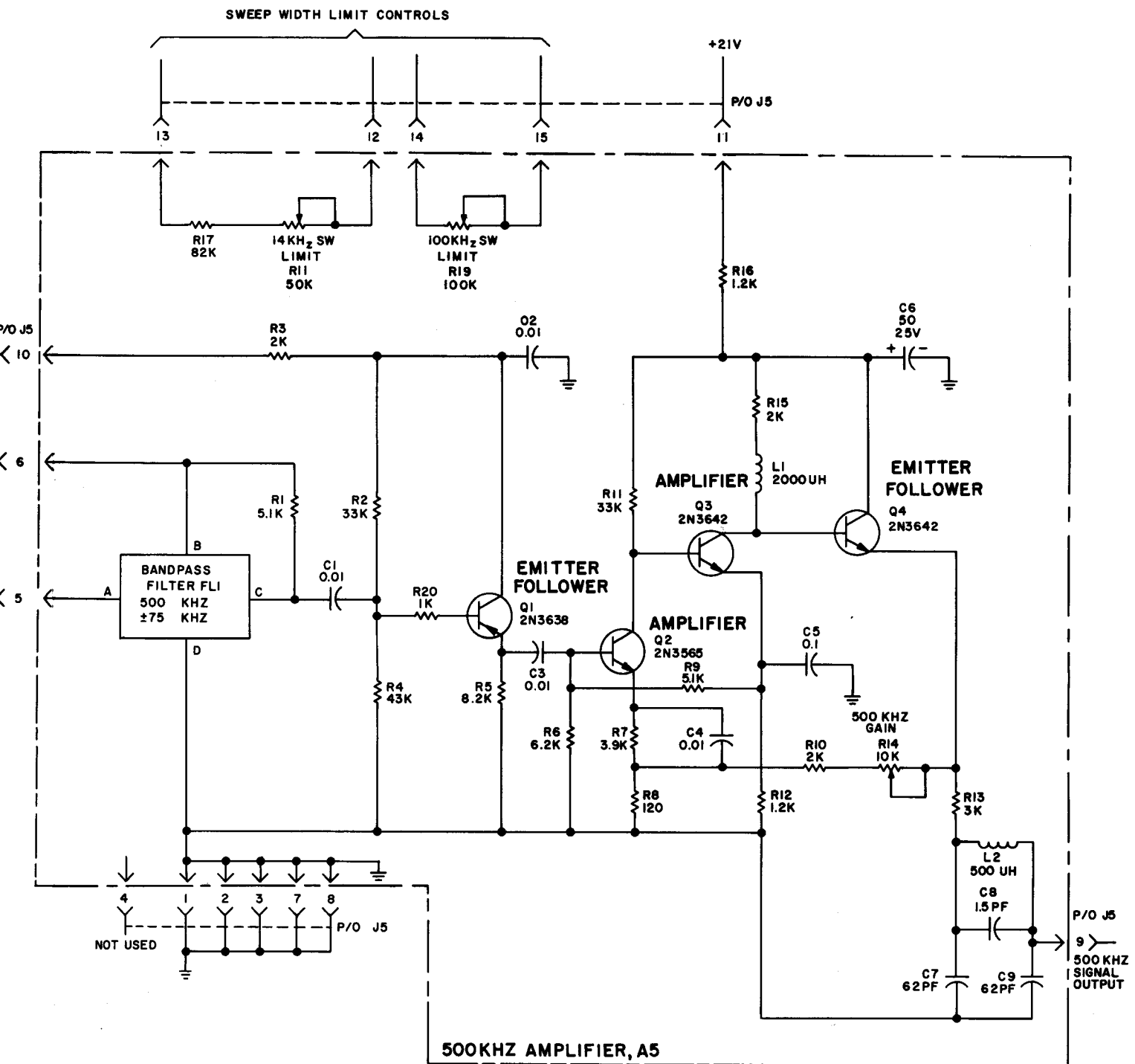
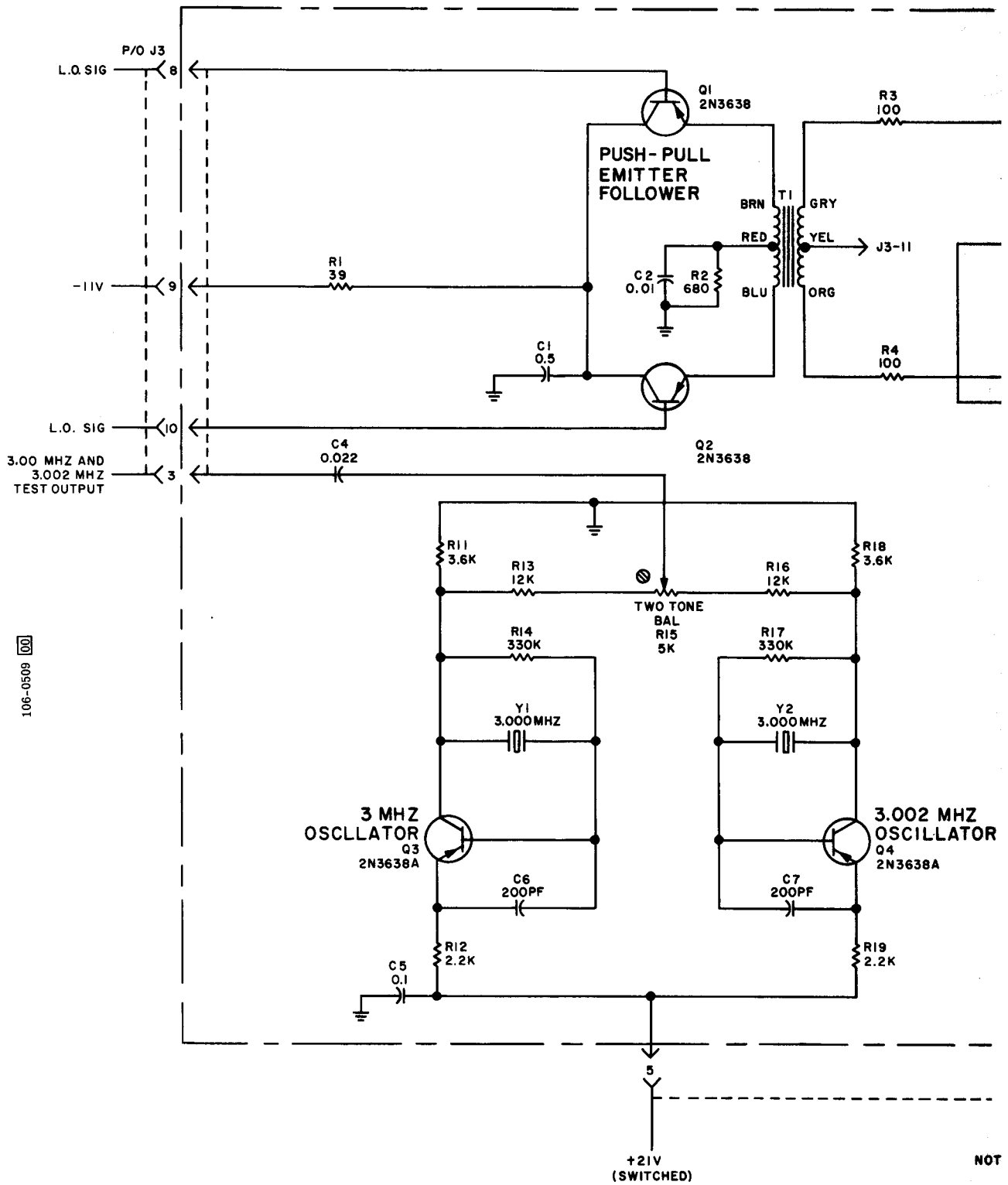
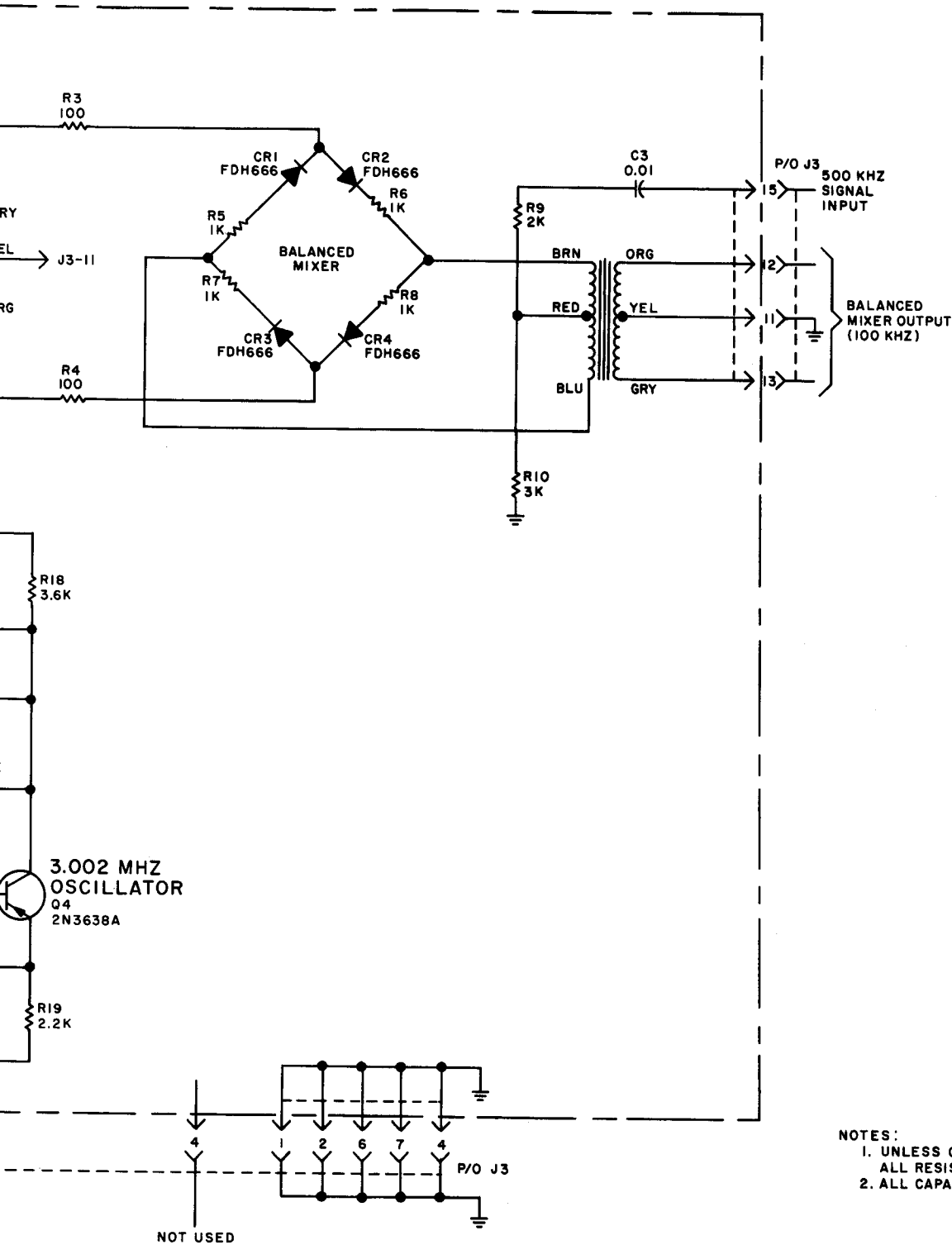


Figure 5-2. Input Attenuator Assembly A10, First Mixer Assembly A9, and 500-kHz I-F Amplifier Assembly A5, Schematic Diagram

106-0509 100



NOT

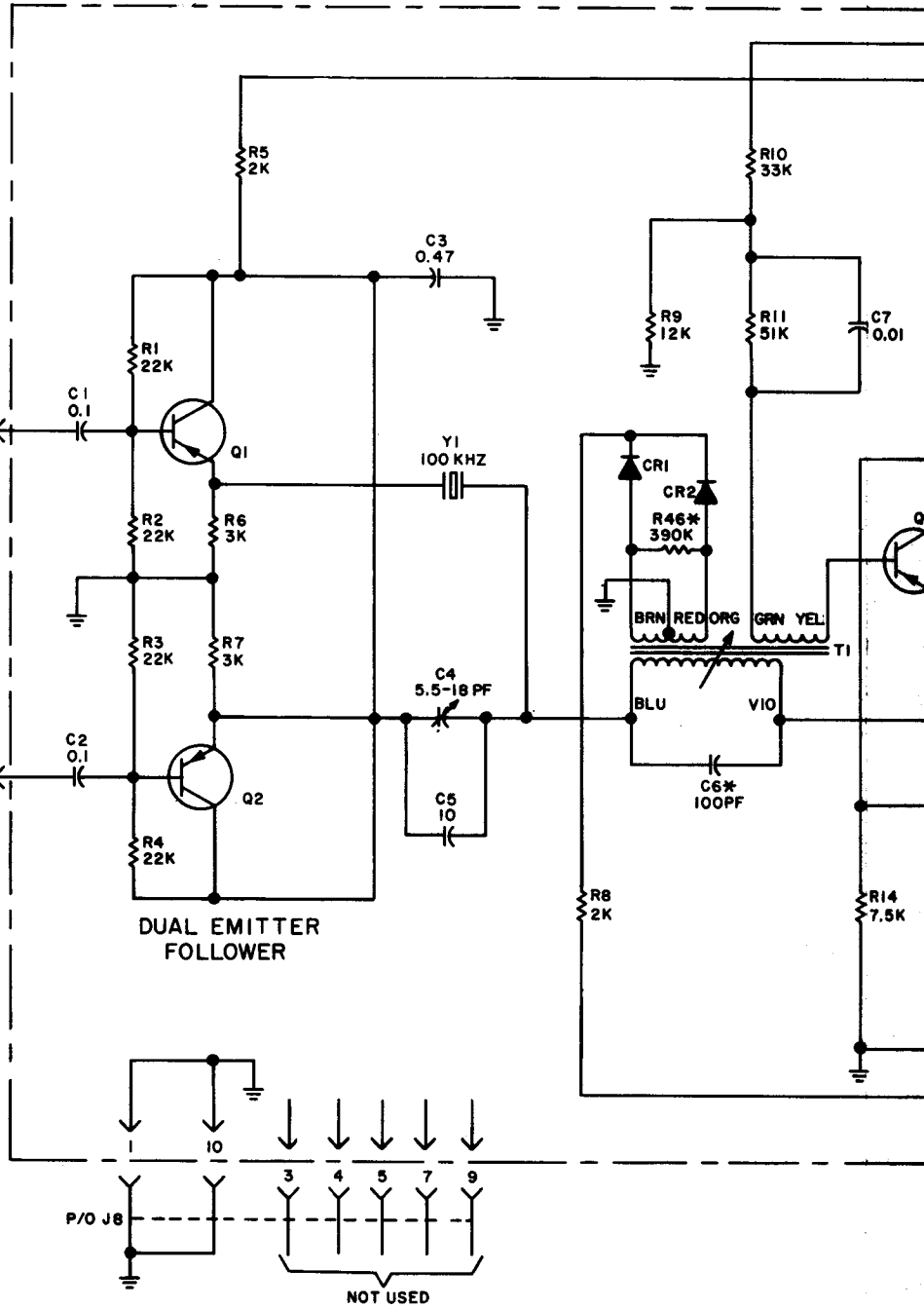


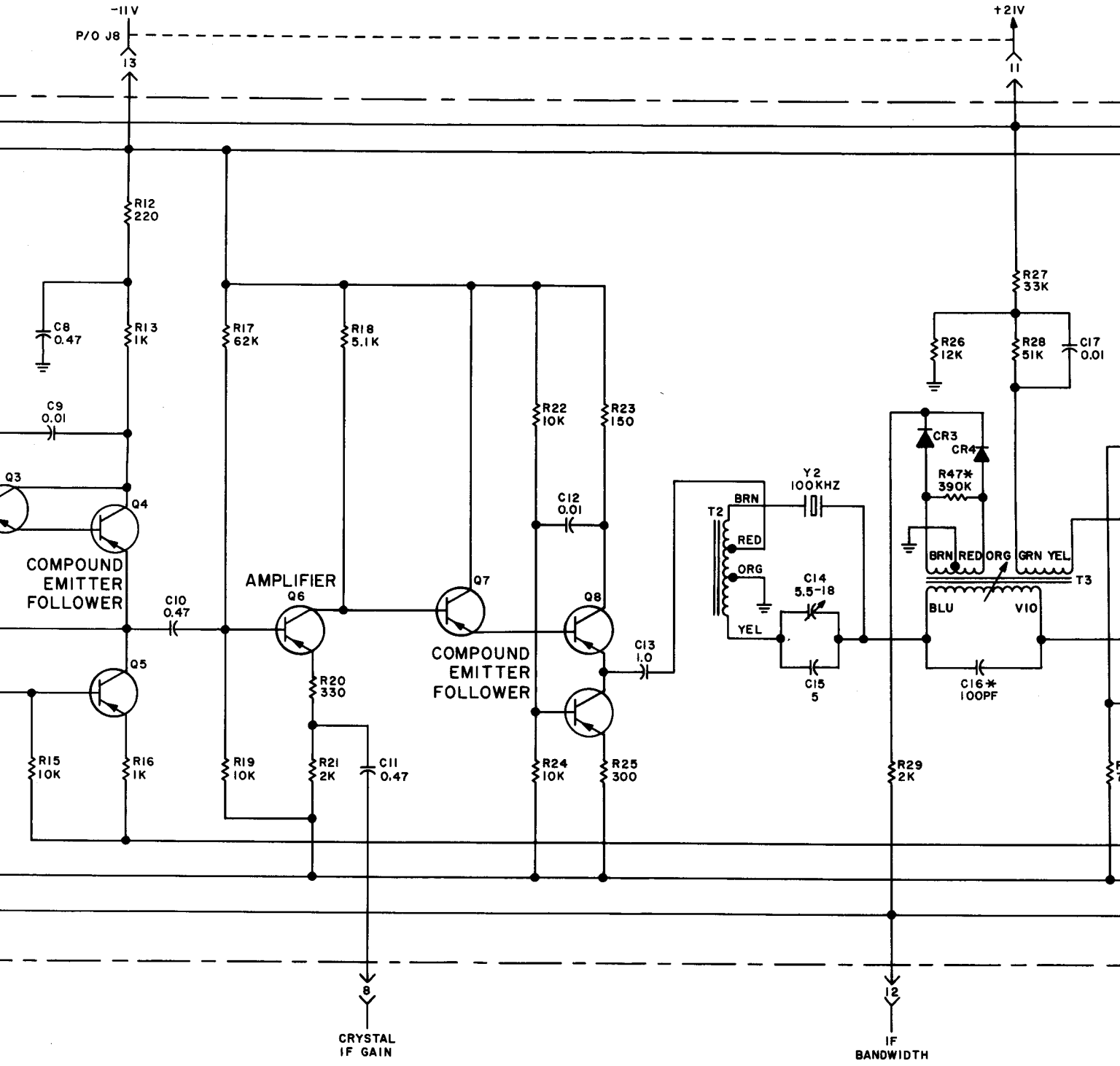
- NOTES:
1. UNLESS OTHERWISE SPECIFIED:  
ALL RESISTORS ARE IN OHMS, 1/4W, ±5%.
  2. ALL CAPACITORS ARE IN MICROFARADS.

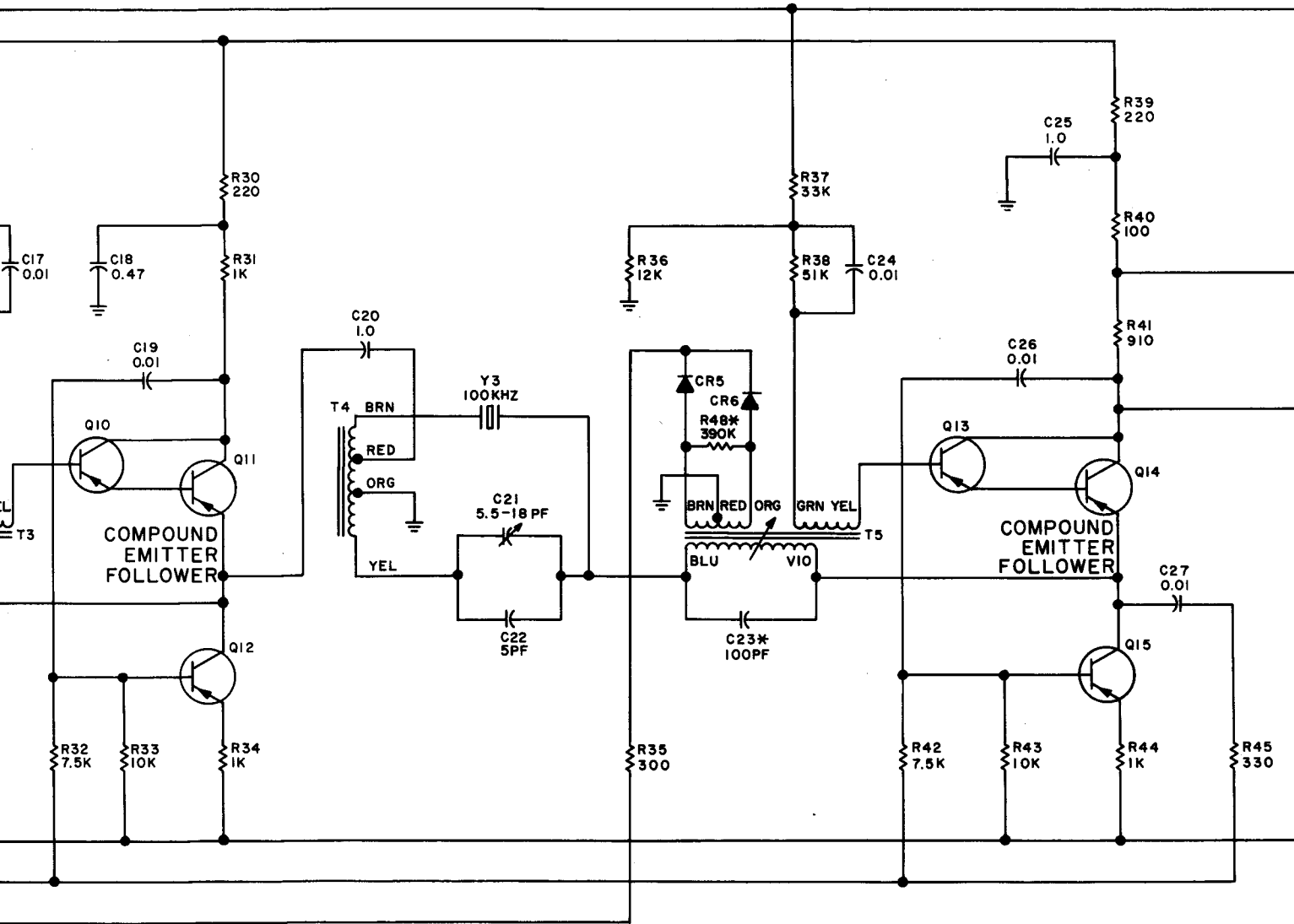
Figure 5-3. Two-tone Generator and 2nd Mixer Assembly A3, Schematic Diagram

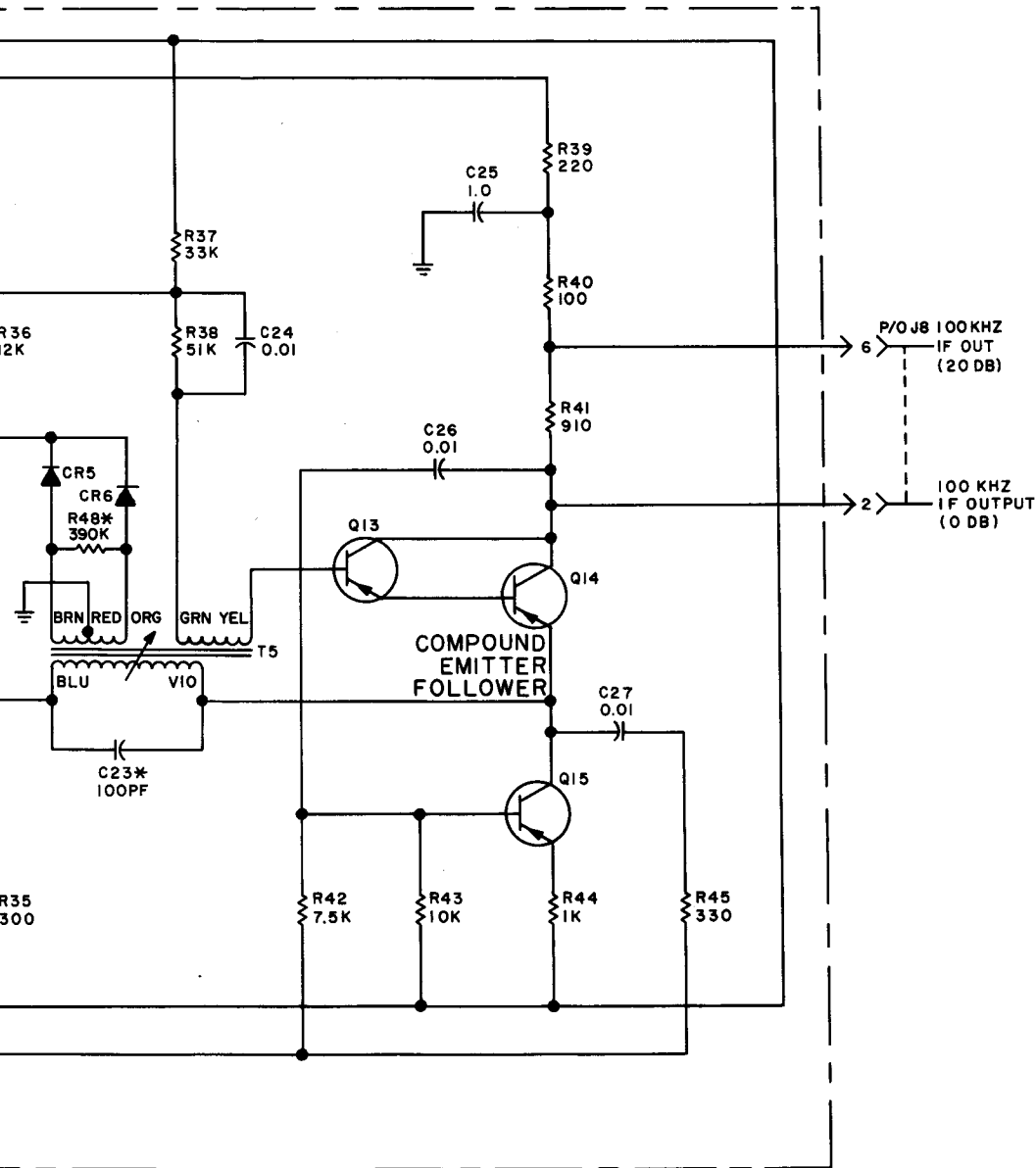
106-0509

BALANCED MIXER  
OUTPUT  
(100 KHZ)









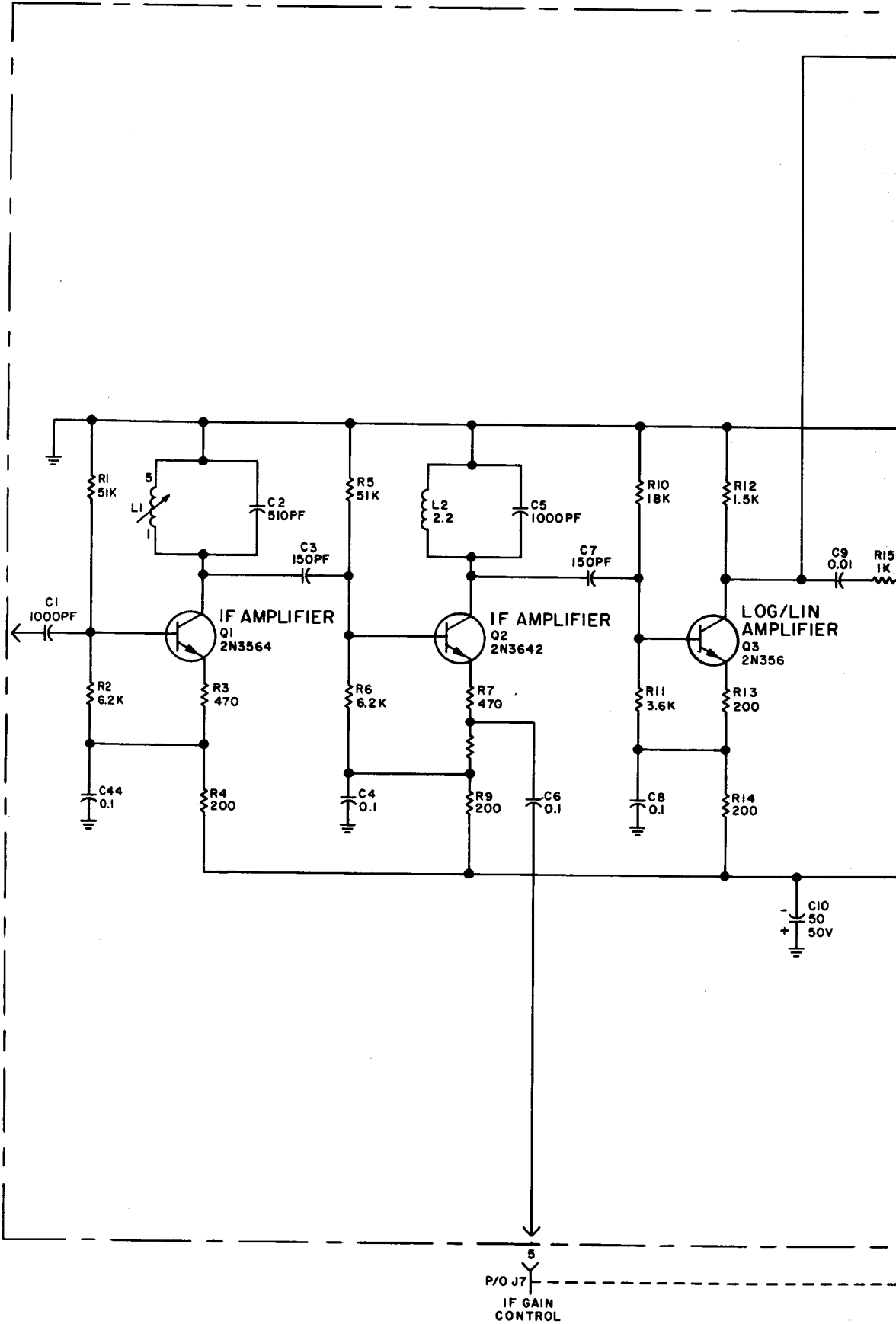
- NOTES:  
UNLESS OTHERWISE SPECIFIED:
1. ALL RESISTORS ARE IN OHMS, 1/4W, ±5%.
  2. ALL CAPACITORS ARE MICROFARADS.
  3. ALL TRANSISTORS ARE TYPE 2N3638.
  4. \* FACTORY SELECTED VALUE (NOMINAL VALUE SHOWN).
  5. ALL DIODES ARE TYPE 1N251.

Figure 5-4. 100-kHz Crystal I-F Amplifier  
Assembly A8, Schematic Diagram

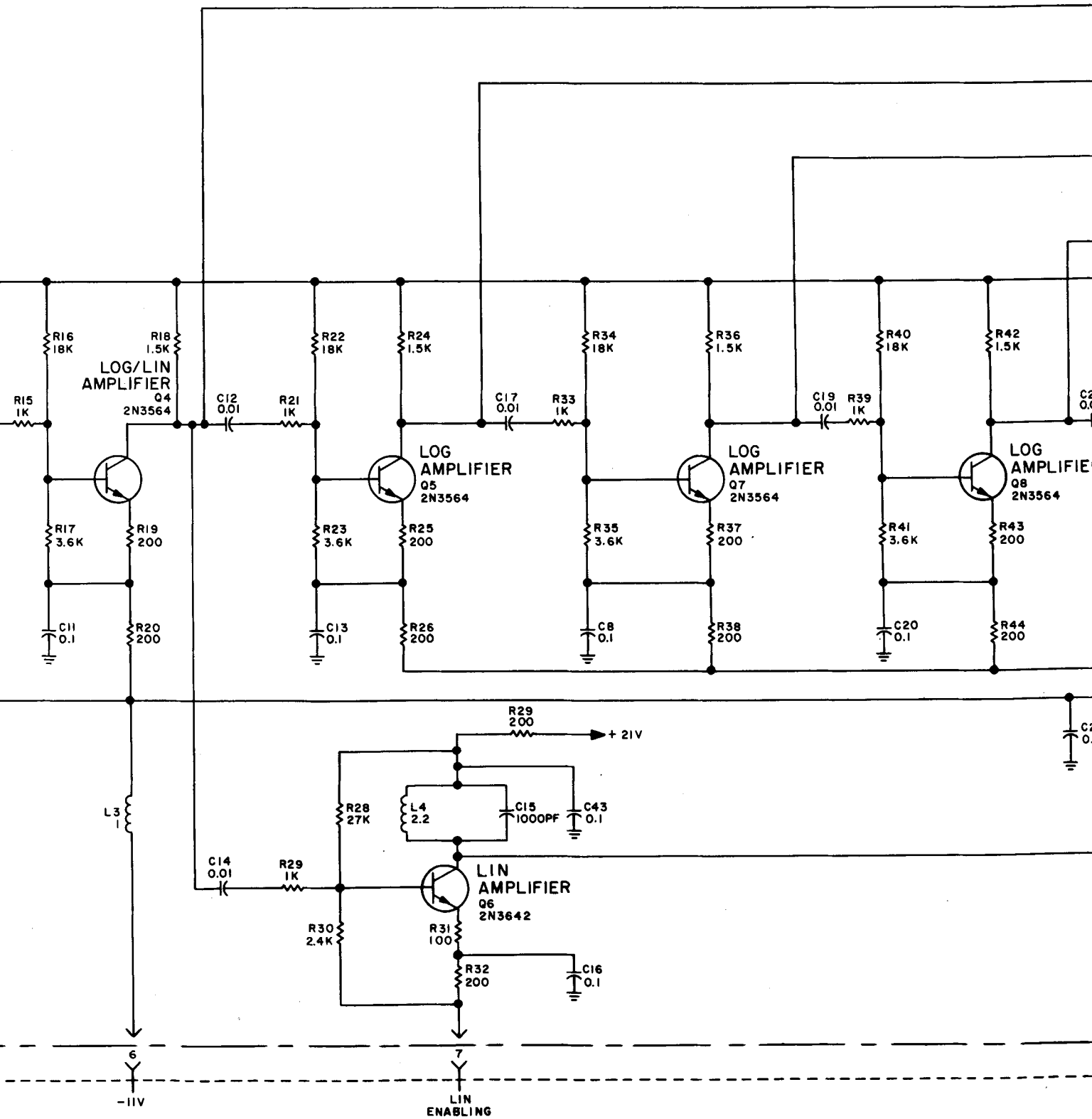


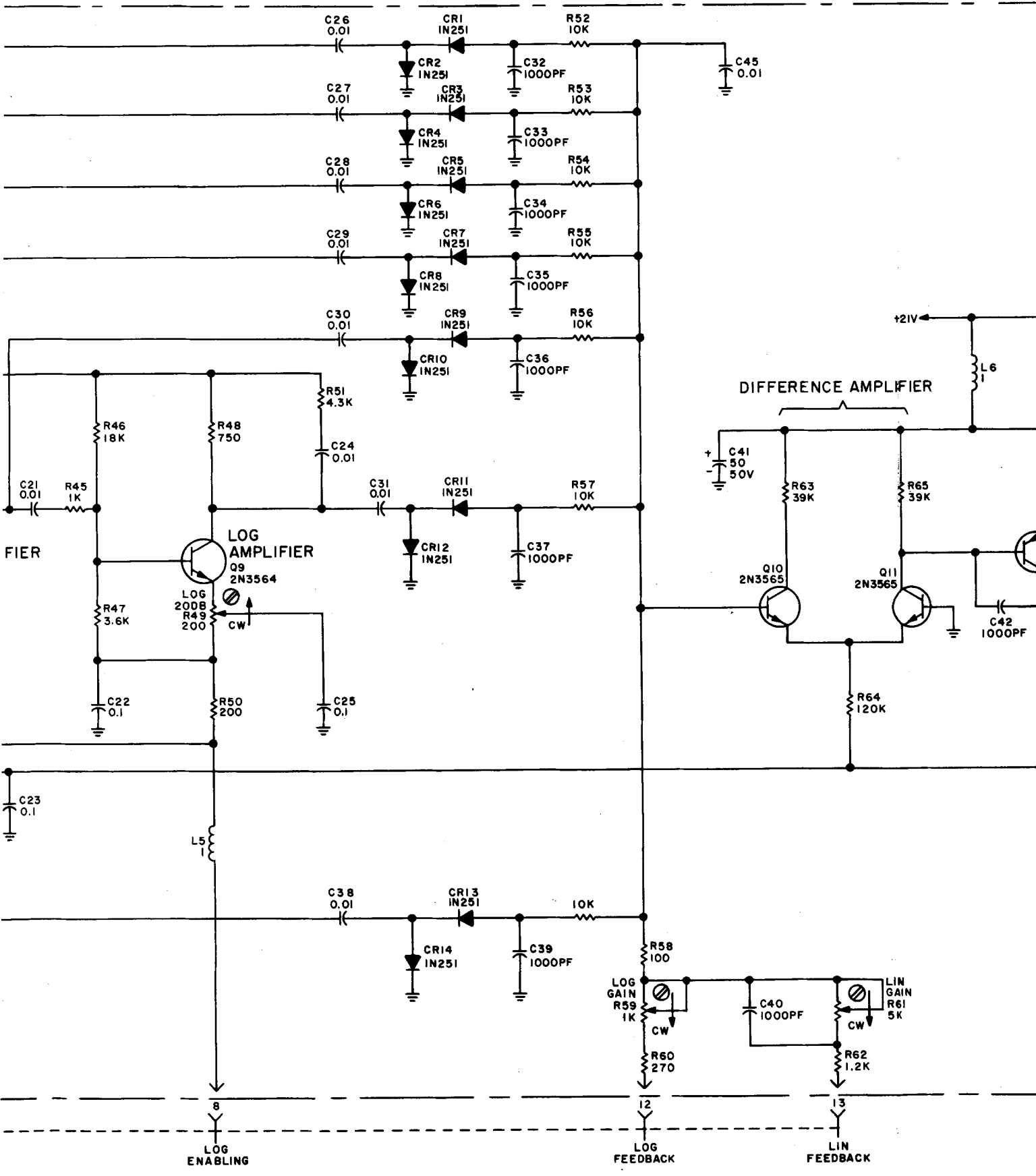
100 KHZ  
IF SIG  
INPUT

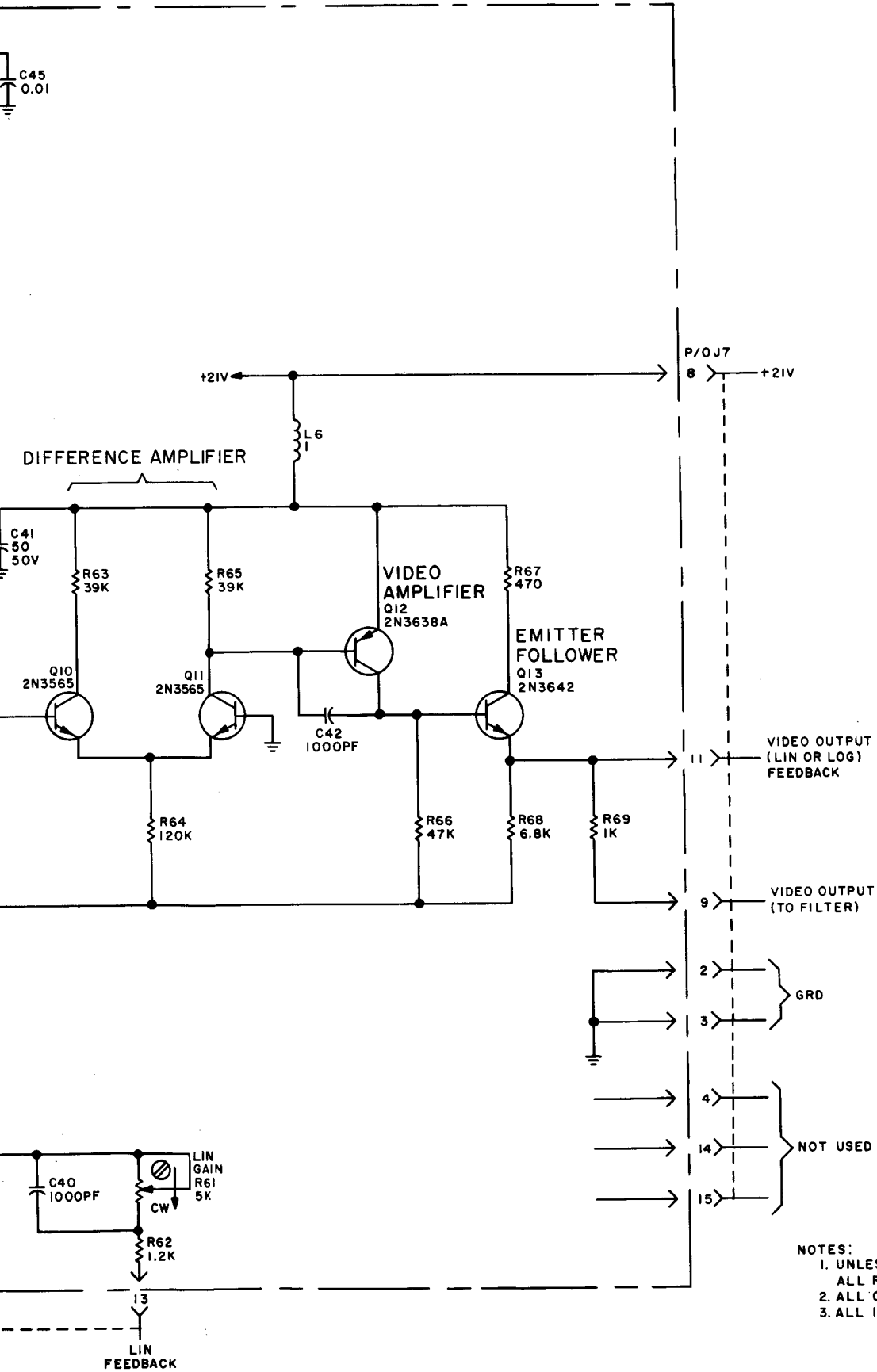
106-0509 00



5  
P/O J7  
IF GAIN  
CONTROL



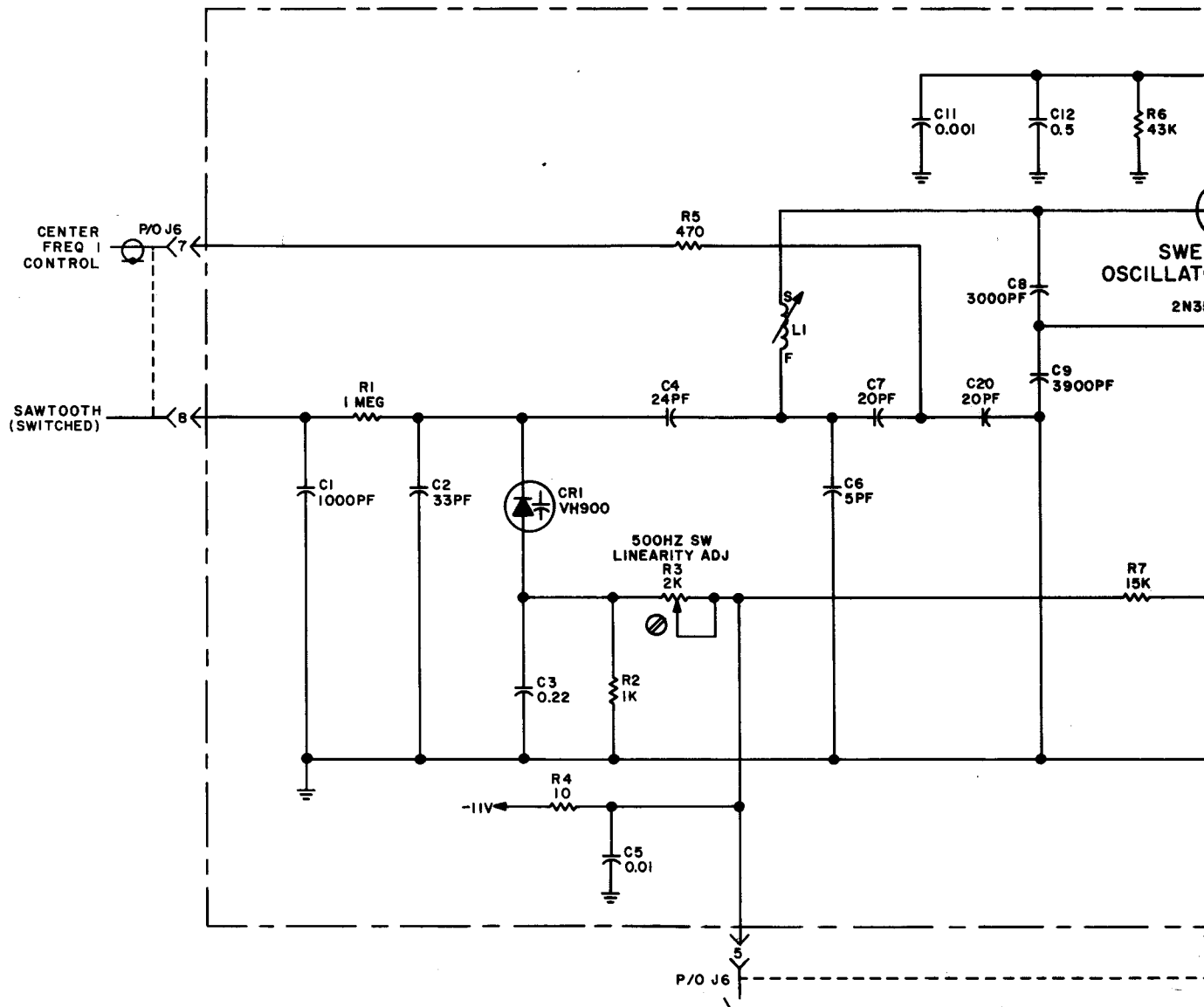




- NOTES:
1. UNLESS OTHERWISE SPECIFIED:  
ALL RESISTORS ARE IN OHMS, 1/4, ± 5%
  2. ALL CAPACITORS ARE IN MICROFARADS.
  3. ALL INDUCTORS ARE IN MILLIHENRIES.

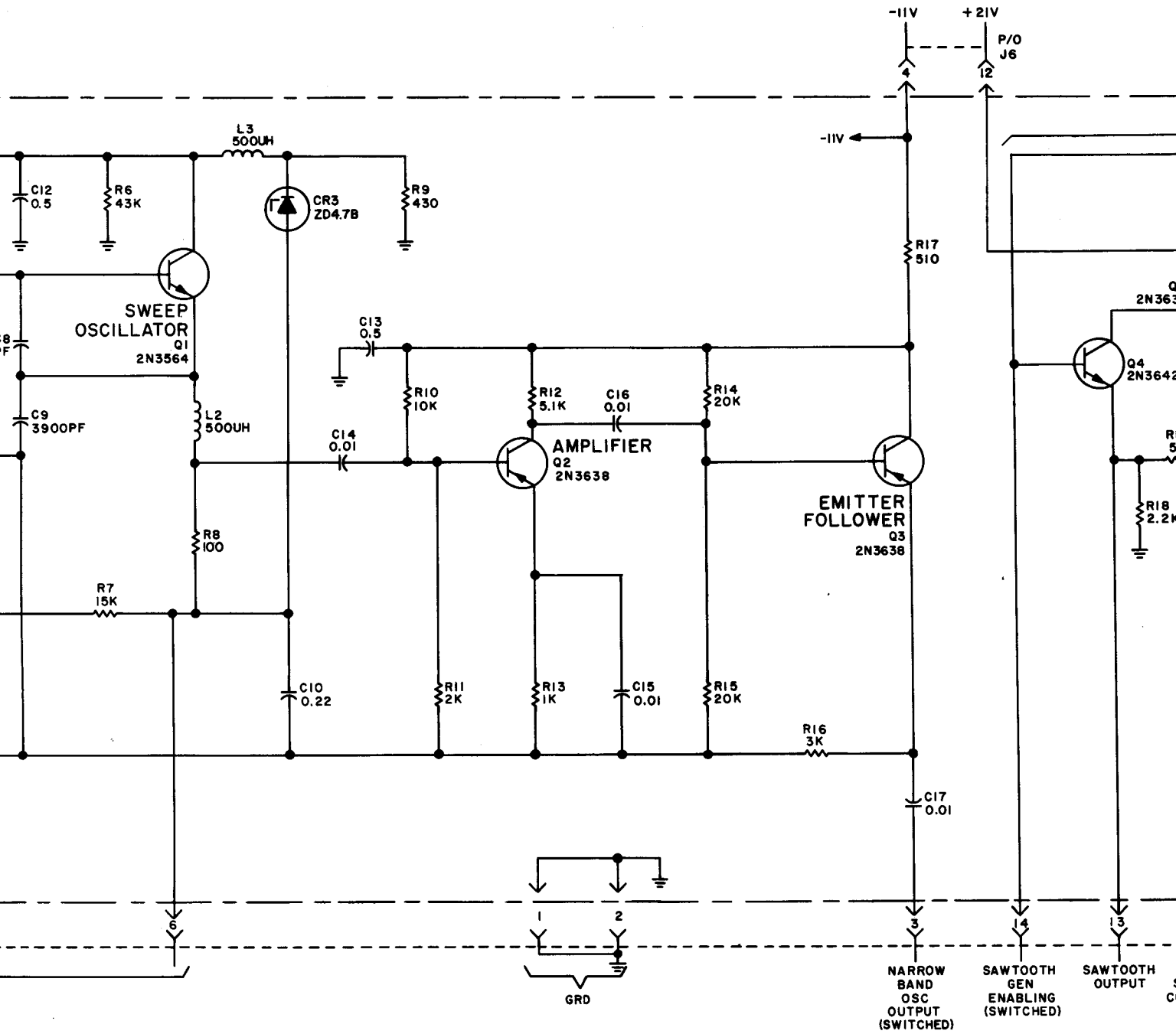
Figure 5-5. Log/Lin Amplifier Assembly A7,  
Schematic Diagram

106-0509 [00]



- NOTES:
- 1. UNLESS OTHERWISE SPECIFIED:  
ALL RESISTORS ARE IN OHMS, 1/4 W, ±5%.
  - 2. ALL CAPACITORS ARE IN MICROFARADS.

OSC  
ENABLING



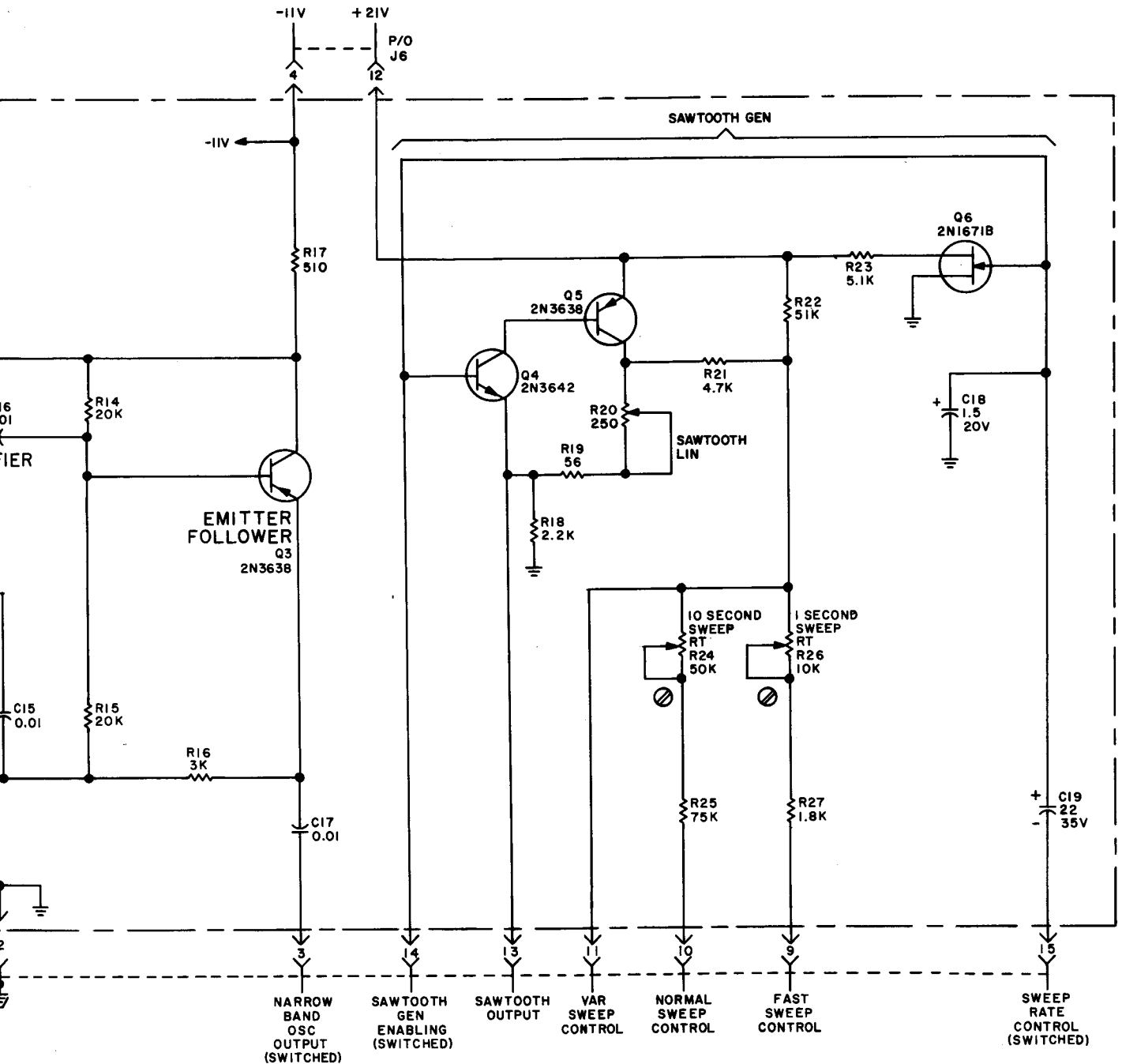
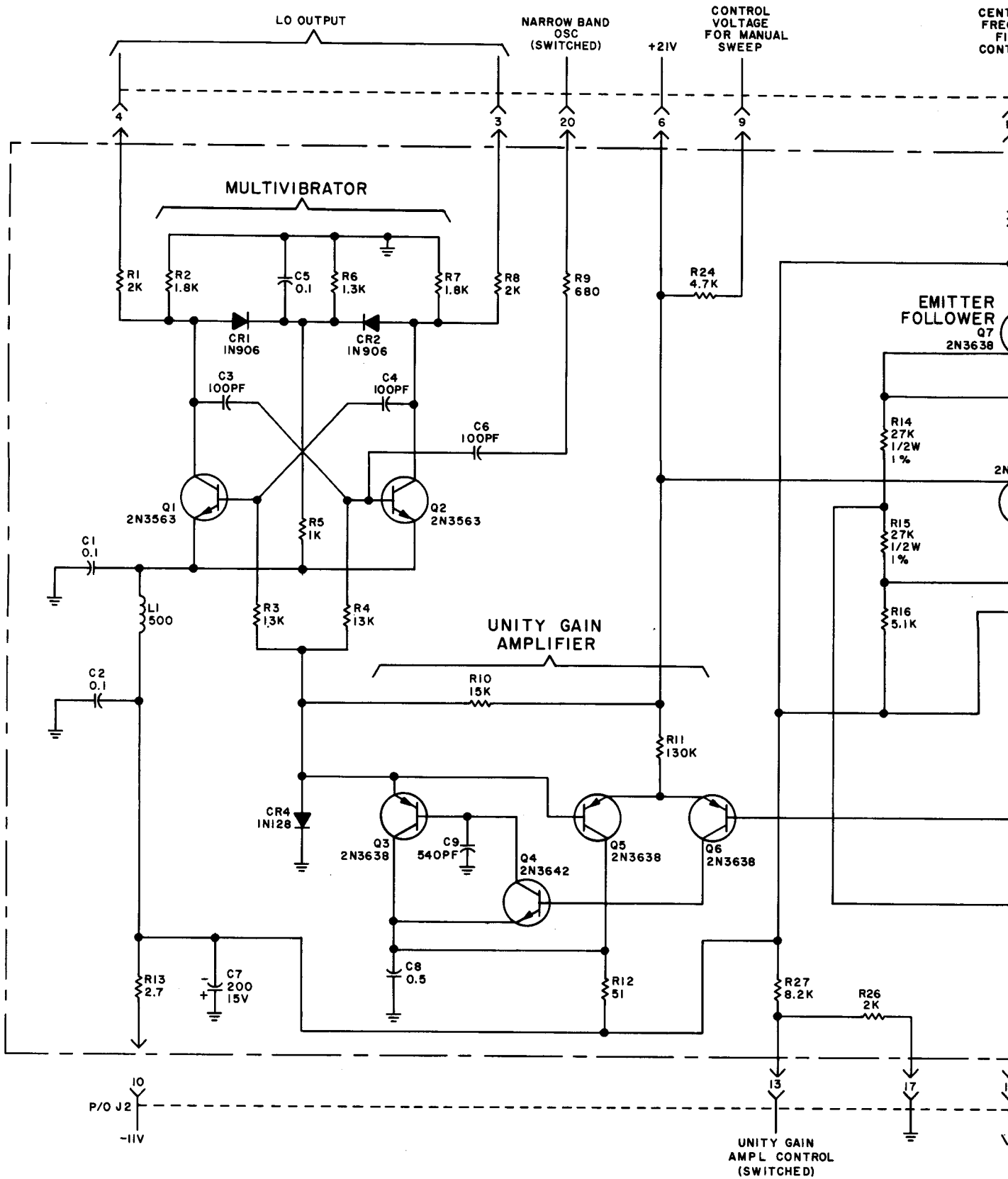
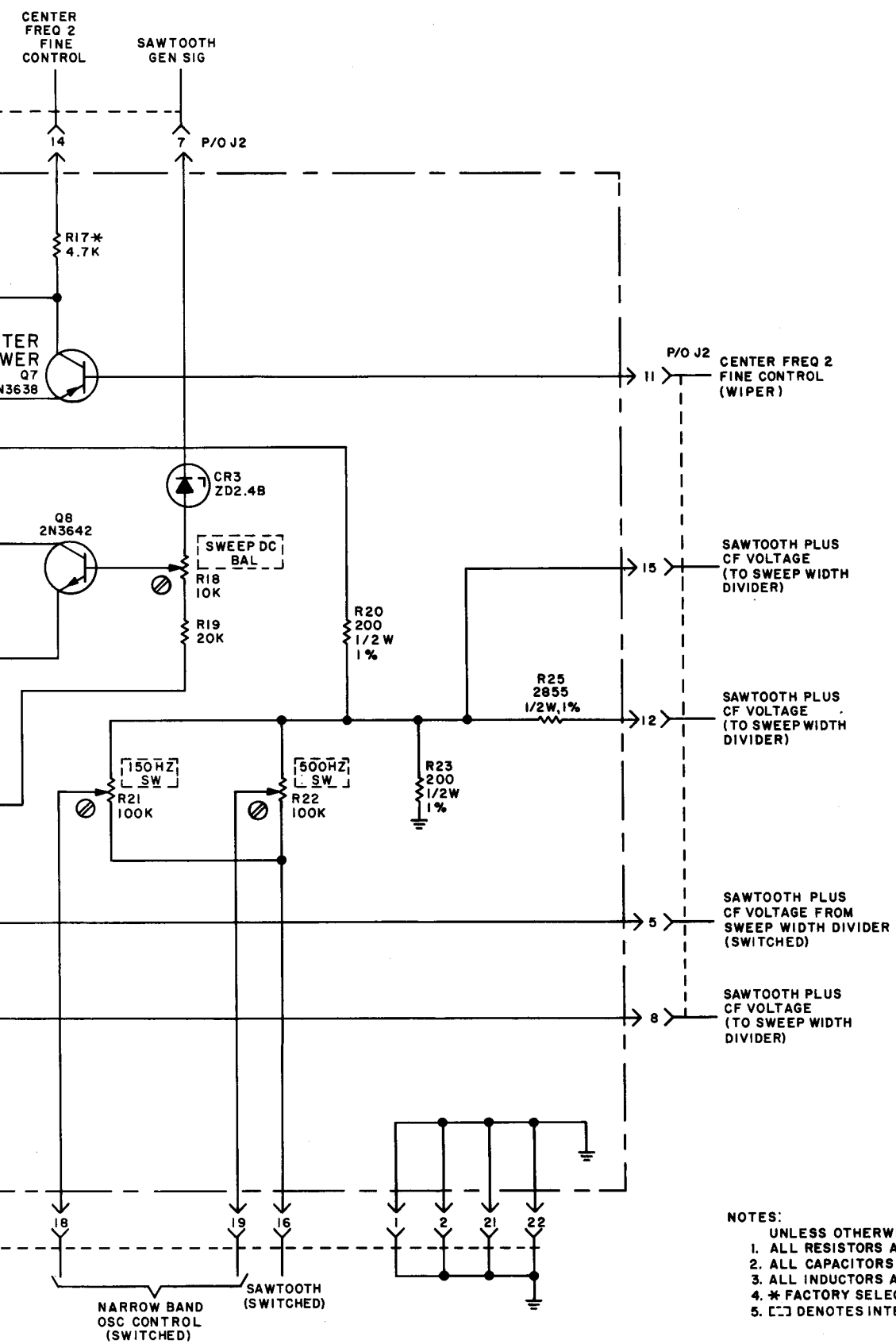


Figure 5-6. Narrow Band Oscillator and Sawtooth Generator Assembly A6, Schematic Diagram

106-0509 [03]

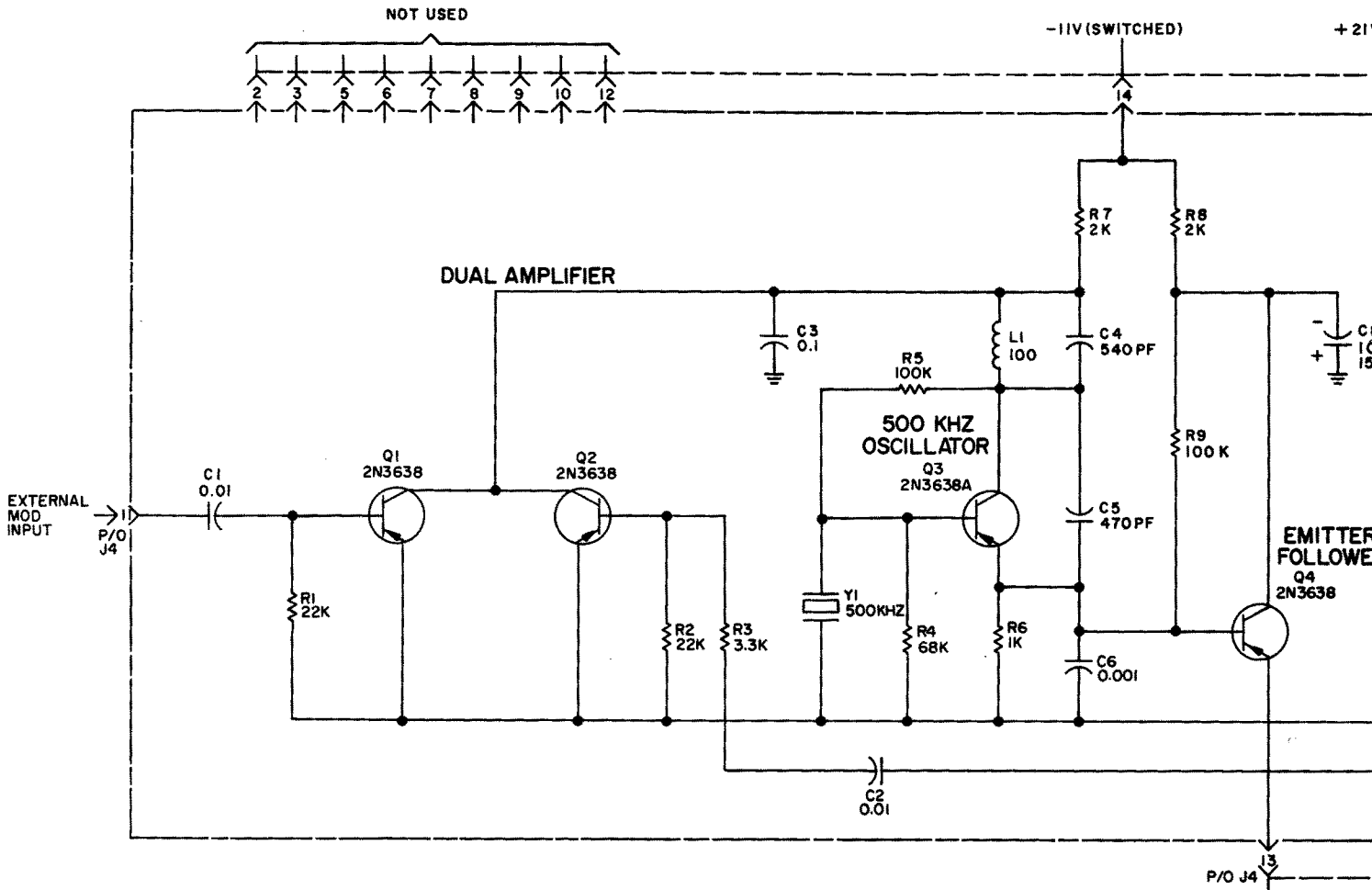






- NOTES:
1. UNLESS OTHERWISE SPECIFIED:
  1. ALL RESISTORS ARE IN OHMS, 1/4 W, ± 5%.
  2. ALL CAPACITORS ARE IN MICROFARADS.
  3. ALL INDUCTORS ARE IN MICROHENRIES.
  4. \* FACTORY SELECTED COMPONENT. (NOMINAL VALUE SHOWN)
  5. [ ] DENOTES INTERNAL MARKING.

Figure 5-7. Local Oscillator and Control Assembly A2, Schematic Diagram



**NOTES**

1. UNLESS OTHERWISE SPECIFIED, ALL RESISTOR VALUES ARE IN OHMS, 1/4W 5%
2. ALL CAPACITORS ARE IN MICROFARADS
3. □□□□ DENOTES INTERNAL MARKING

5KHZ MARKER  
OR 500 KHZ  
TEST SIG OUTPUT

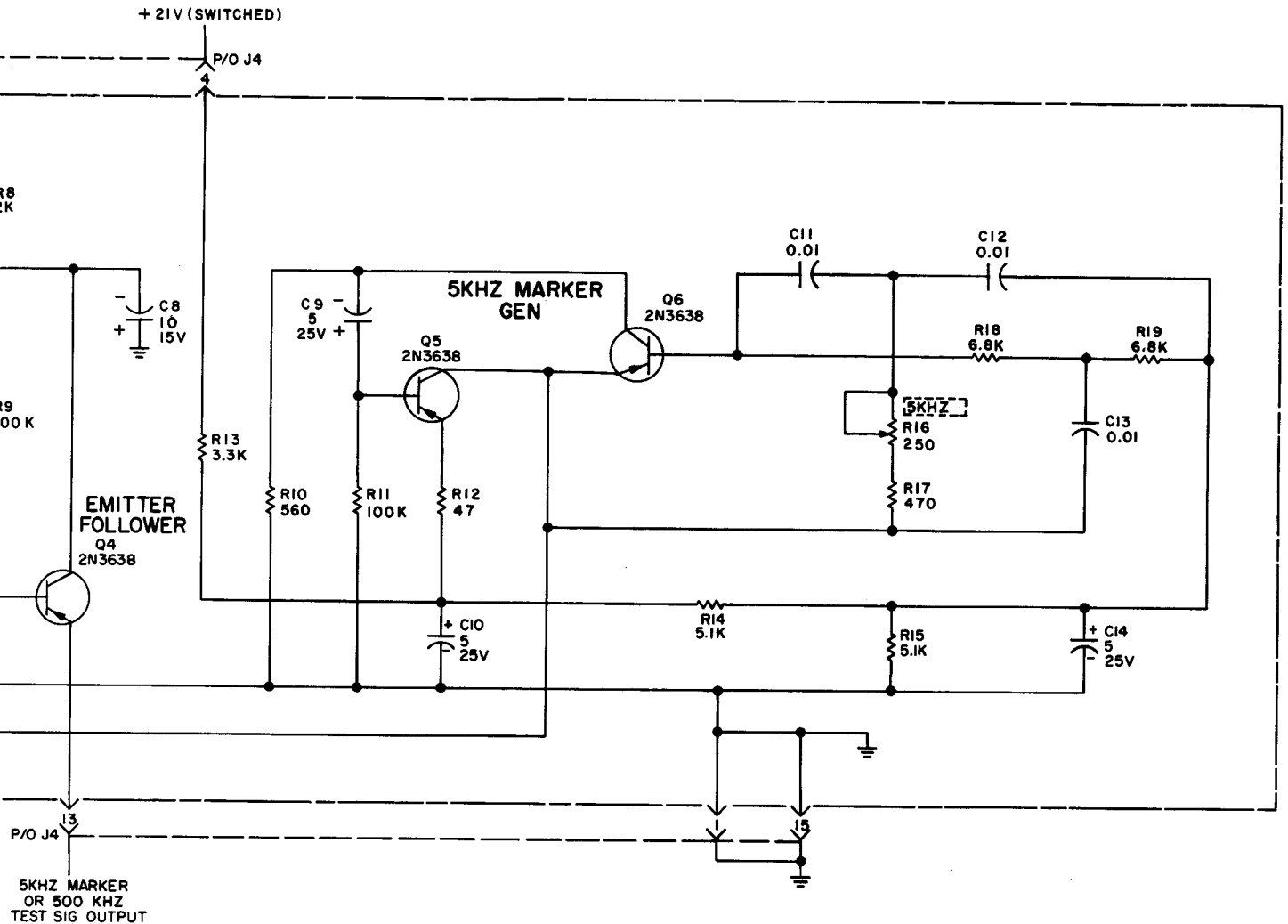


Figure 5-8. Calibration Oscillator and 5-kHz  
Marker Generator Assembly A4,  
Schematic Diagram